



# Connect Tech Inc.

## Embedded Computing Experts

[www.connecttech.com](http://www.connecttech.com)

# Product Change Notification

## *CTI COMe Type 6 System Revision H PCN*

<b>PCN Number:</b>	CTIU-00023
<b>Revision:</b>	0.00
<b>Issue Date:</b>	2020-05-19
<b>Effective Date:</b>	2020-05-19

### Connect Tech Inc.

42 Arrow Road, Guelph, ON CANADA N1K 1S6

Tel: 519.836.1291 • North America: 800.426.8979 • Fax: 519.836.4878

sales@connecttech.com • <http://www.connecttech.com>

**Copyright © 2020 Connect Tech Inc. ALL RIGHTS RESERVED.** Connect Tech Confidential: This copyrighted work and all information are the property of Connect Tech Inc., contain trade secrets and may not, in whole or part, be used, duplicated, or disclosed for any purpose without prior written permission of Connect Tech Inc. All Rights Reserved. The Connect Tech Inc. logo is a registered trademark of Connect Tech Inc. All other trademarks used in this document are the property of their respective owners.

# 1 Product Identification

In order to support future COMe and MXM GPU modules, the below detailed products have updated Power Sequencing Circuitry.

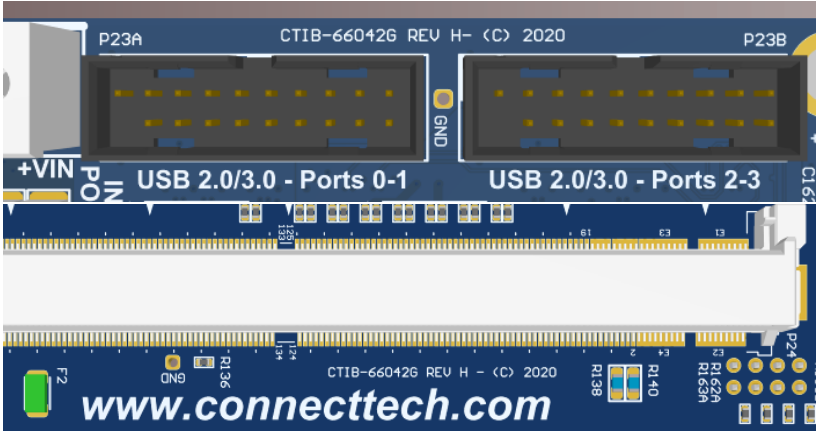
## 1.1 Product Data

	Current Version		Future Versions	
<b>Product Name</b>	COM Express Type 6 + GPU		COM Express Type 6 + GPU	
<b>CTI Part Numbers</b>	CCG014	CCG015	CCG014	CCG015
<b>Hardware Revision</b>	Revision A - G		H Revisions	

	Current Version				Future Versions			
<b>Product Name</b>	COM Express Type 6 + GPU Embedded System				COM Express Type 6 + GPU Embedded System			
<b>CTI Part Numbers</b>	VXG101	VXG102	VXG103	VXG104	VXG101	VXG102	VXG103	VXG104
	VXG105	VXG201	VXG202	VXG203	VXG105	VXG201	VXG202	VXG203
	VXG204	VXG303	VXG907	VXG912	VXG204	VXG303	VXG907	VXG912
	VXG915				VXG915			
<b>Hardware Revision</b>	Revision A - G				H Revisions			

	Current Version				Future Versions			
<b>Product Name</b>	Development COM Express Type 6 + GPU Embedded System				Development COM Express Type 6 + GPU Embedded System			
<b>CTI Part Numbers</b>	DXG101	DXG102	DXG105	DXG201	DXG101	DXG102	DXG105	DXG201
	DXG202	DXG203	DXG204	DXG205	DXG202	DXG203	DXG204	DXG205
	DXG206	DXG207	DXG303	DXG901	DXG206	DXG207	DXG303	DXG901
	DXG902				DXG902			
<b>Hardware Revision</b>	Revision A - G				H Revisions			

## 1.2 Means of Distinguishing Changed Products

		Remark
<b>Product Number</b>	<input checked="" type="checkbox"/>	Refer to the Above list in Section 1.1
<b>Hardware Revision</b>	<input checked="" type="checkbox"/>	Carrier Board Designation Revision H 
<b>Lot Code</b>	<input type="checkbox"/>	N/A
<b>Label</b>	<input type="checkbox"/>	N/A
<b>Other</b>	<input type="checkbox"/>	N/A

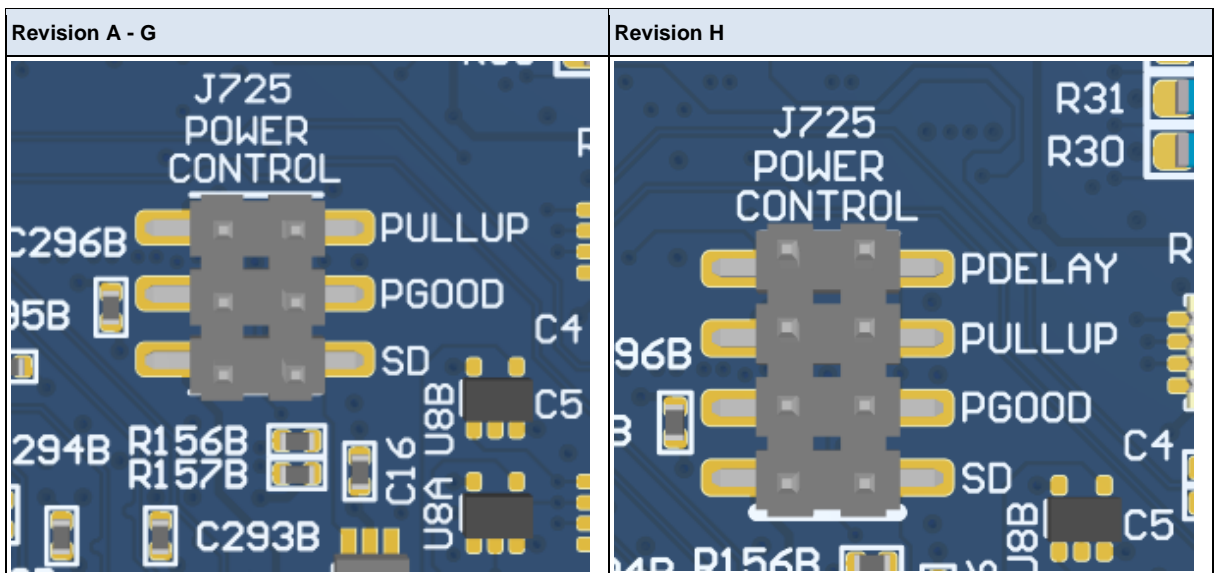
## 2 Description and Reason of Change

AVL	<input type="checkbox"/>	Product Improvement	<input checked="" type="checkbox"/>
Material	<input type="checkbox"/>	BIOS Release	<input type="checkbox"/>
Assembly Process	<input type="checkbox"/>	Firmware Release	<input type="checkbox"/>
Assembly BOM	<input type="checkbox"/>	Datasheet / Manual	<input type="checkbox"/>
Testing	<input type="checkbox"/>	DFM	<input type="checkbox"/>
Manufacturing Site	<input type="checkbox"/>	Other	<input type="checkbox"/>
Equipment	<input type="checkbox"/>		

### 2.1 Hardware Change

All P/Ns in Section 1.1 are subject to the hardware change detailed below in Revision H.

The Hardware change improves Carrier Board power sequencing for future COM Express and MXM GPU Module Support by adding a configurable delay for PGOOD on J725 expanding the jumper from 3 positions to 4 positions.



### **3 Impact of change (positive or negative) on fit, form, function & reliability**

#### **3.1 Quality and Reliability**

There is no change to quality or reliability.

#### **3.2 Software Compatibility**

There is no change to software compatibility.

#### **3.3 Hardware Compatibility**

The changes made are intended to increase hardware compatibility for future COMe and MXM GPU Support.

#### **3.4 Mechanical Compatibility**

There is no change to mechanical compatibility.

### **4 Product / Revision Discontinuation**

Please be advised that the effective date may change for individual SKUs depending on stock availability.  
Please contact Connect Tech Sales with any questions or concerns.

### **5 Contact Information**

<b>Phone</b>	+1-519-836-1291
<b>Email</b>	sales@connecttech.com