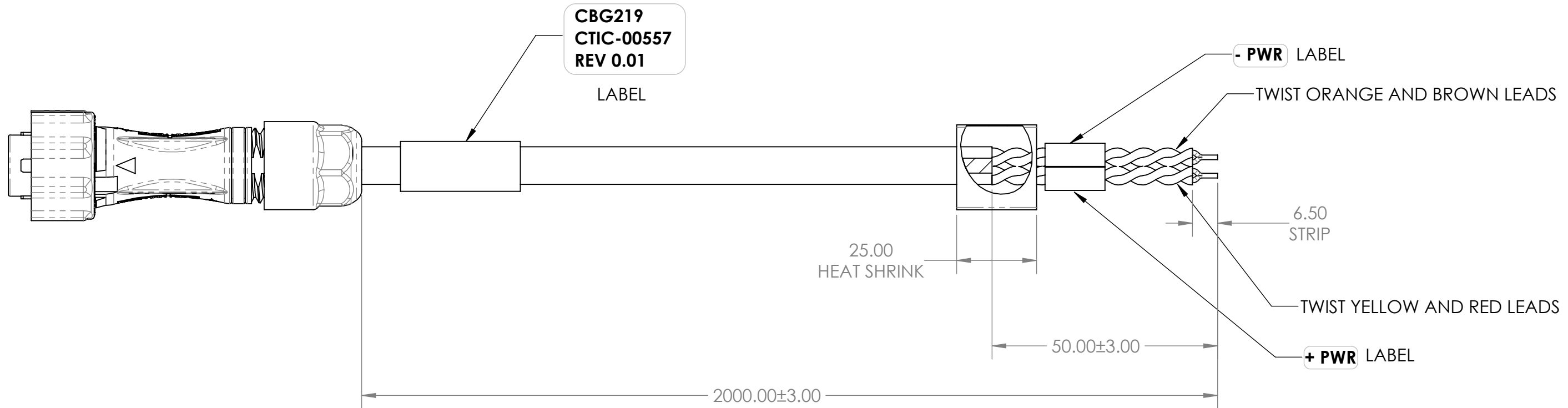


REVISIONS				
ECN	REV.	DESCRIPTION	DATE	APPROVED
	0.01	ADDED PINOUT CHART; LABELLED LEADS	18/04/2016	



MATERIAL NOTES

CONNECTOR ASSEMBLY (PURCHASED): ACP-12-01-G-2.00-S-BC-P-1

HEAT SHRINK: AS PER MANUFACTURING: QTY.1@25.0mm

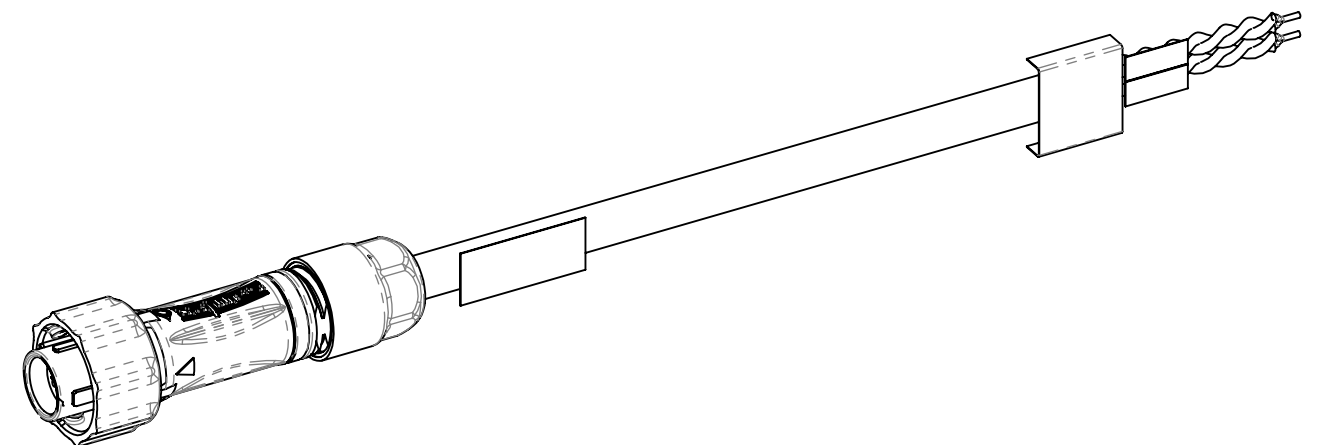
LABEL: 1.44X0.5" WHITE SELF LAMINATING VINYL, P/N: PDL-2

ASSEMBLY INSTRUCTIONS

1. STRIP BACK INSULATION TO 50.0mm.
2. TWIST LEADS AS SPECIFIED. REMOVE AND DISCARD ANY LABEL(S) ATTACHED TO ANY LEADS.
3. STRIP INSULATION FROM END OF EACH CONDUCTOR 6.5mm.
4. TWIST AND TIN EXPOSED CONDUCTOR ENDS.
5. CUT TO LENGTH 1 PIECE OF HEAT SHRINK AT 25.0mm. INSERT MID WAY OVER LEADS/INSULATION AND SECURE IN PLACE.
6. PRINT LABEL WITH INFORMATION AS SPECIFIED AND AFFIX TO THE WIRES AS SHOWN.

PINOUT CHART

CN1	COLOUR	SIGNAL	LABEL
2	RED	POWER	+ PWR
4	YELLOW	POWER	
3	ORANGE	GROUND	-PWR
1	BROWN	GROUND	



THIRD ANGLE 	UNLESS OTHERWISE SPECIFIED: DIMENSIONS ARE IN MM	DRAWN D.P.	DATE 11/01/2016	 Connect Tech Inc. <i>Embedded Computing Experts</i> 42 ARROW ROAD, GUELPH, ON, CANADA, N1K 1S6
	TOLERANCES: ANGULAR ± LINEAR/DIA. ± SURFACES:	CHECKED T.C.	DATE 18/04/2016	
WHERE USED	MATERIAL SEE NOTES	ENG APPR.	DATE	TITLE: CABLE ASSEMBLY, LINQ/GbE, EXTERNAL POWER
THIS DRAWING AND SPECIFICATION SHOWN IS CONFIDENTIAL AND IS THE PROPERTY OF CONNECT TECH INCORPORATED. IT IS NOT TO BE REPRODUCED OR COPIED OR USED AS A BASIS TO MANUFACTURE ANYTHING SHOWN WITHOUT PRIOR WRITTEN PERMISSION OF CONNECT TECH INCORPORATED. ALL RIGHTS TO DESIGN OR INVENTION ARE RESERVED.	FINISH N/A	MFG APPR.	DATE	SIZE B PART NO. CBG219 REV DOCUMENT NO. CTIC-00557 0.01
		DO NOT SCALE DRAWING	SCALE: 1:1	

8 7 6 5 4 3 2 1

D

D

C

C

B

B

A

A

8 7 6 5 4 3 2 1