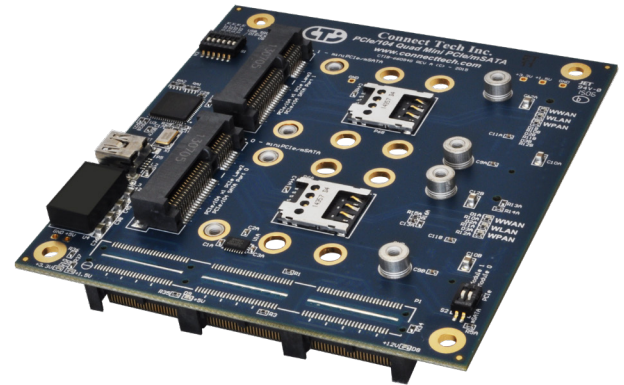


PCIe/104 Quad Mini PCIe/mSATA

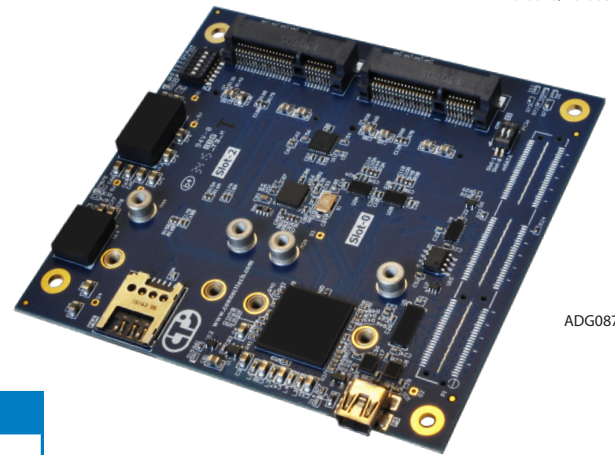
Connect Tech's Quad Mini PCIe/mSATA board supports up to four mini PCIe modules simultaneously for applications in the PCIe/104 small form factor embedded market place.

This product is ideal for a wide array of applications. The ADG078 and ADG080 support any "Half" or "Full" Mini PCIe/mSATA product on the market, while the ADG087 supports any "Full" Mini PCIe/mSATA. This allows for maximum flexibility while keeping the PCIe/104 stack as small as possible.

Product Name: PCIe/104 Quad Mini PCIe/mSATA
Part Number: ADG078, ADG080, ADG087



ADG078/ADG080



ADG087

Specifications

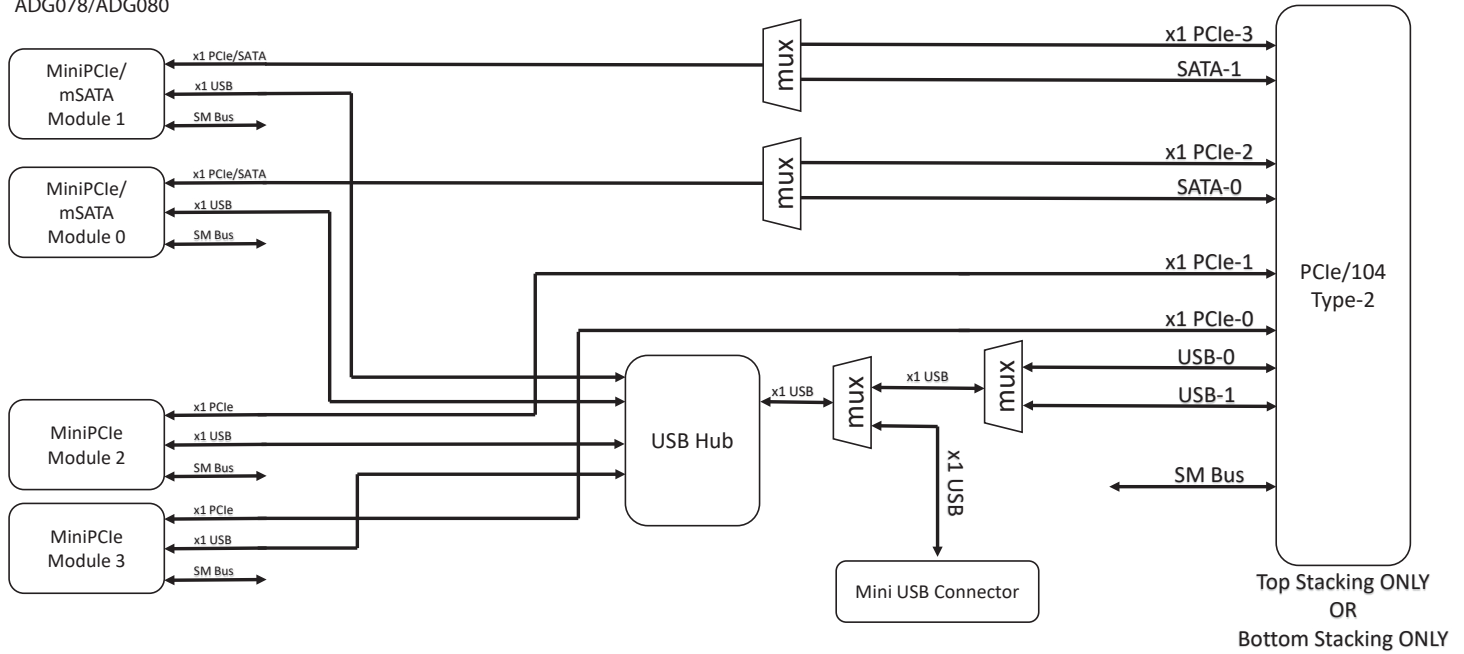
Form Factor	PCIe/104
Mini PCIe Compatibility	<ul style="list-style-type: none"> • ADG078 and ADG080 support four "full" or "half" sized Mini PCIe modules • ADG087 supports four "full" sized Mini PCIe modules
PCIe	Support for PCIe to all four Mini PCIe sockets: <ul style="list-style-type: none"> • ADG078 and ADG080 consume all four PCIe x1 ports • ADG087 consumes only one PCIe x1 port
SATA	Support for mSATA at two Mini PCIe sockets
USB	USB support at all four Mini PCIe sockets
SMBus	SMBus support for all four Mini PCIe sockets
Power Source	PCIe/104 Bus
Power	Onboard pwr supply for Mini PCIe sockets
Dimensions	Fully PCIe-104 compliant: 3.775" x 3.550"
Environmental	-40°C to +85°C
Warranty and Support	2 Years

FEATURES

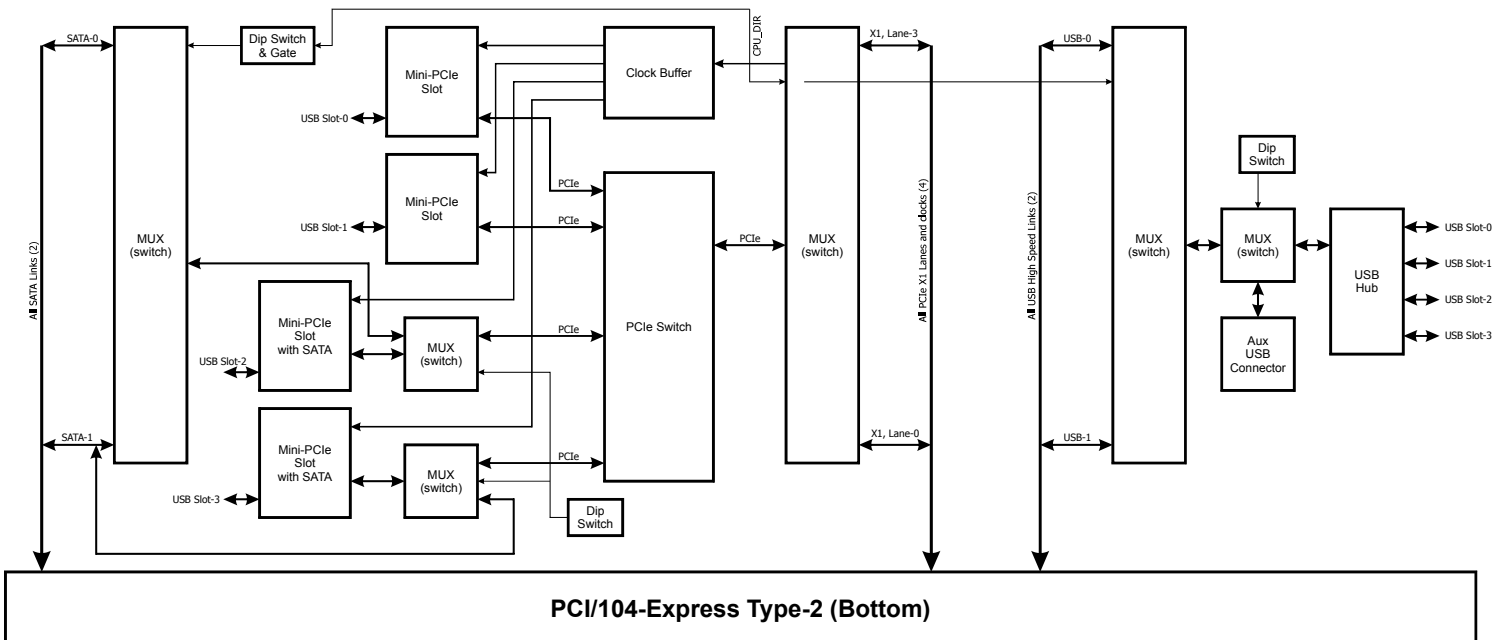
- ✓ Supports up to four Mini PCIe modules simultaneously
- ✓ Supports any Mini PCIe/mSATA product
- ✓ Maximum flexibility keeping the PCIe/104 stack small

Block Diagrams

ADG078/ADG080



ADG087



Note: None of the PCIe-Lanes, USB Links or SATA Links are "shifted" from the Top to Bottom PCI/104-Express connector, since this board is intended for Top-Most stack position.

Connect Tech Inc.
42 Arrow Road, Guelph ON Canada
Tel: 519.836.1291 Fax: 519.836.4878
Toll: 800.426.8979 (North America)
Email: sales@connecttech.com
www.connecttech.com