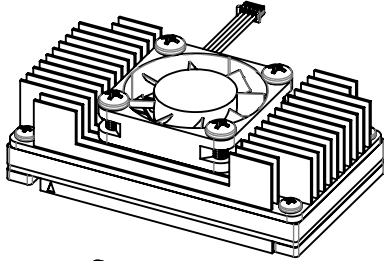




ESD WARNING

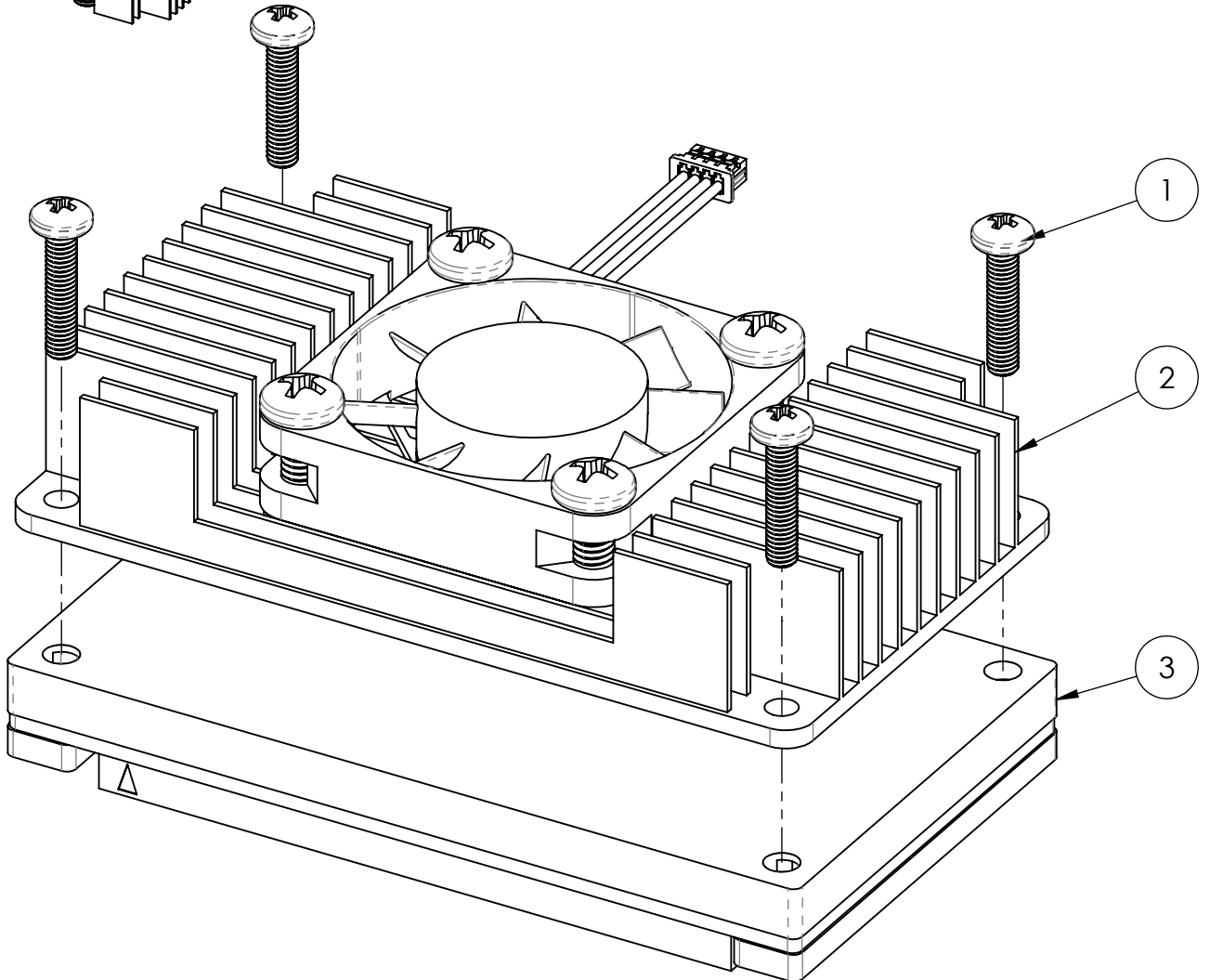
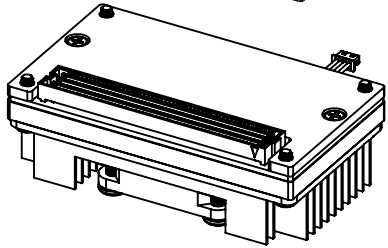
XHG304 INTEGRATED ASSEMBLY

ITEM	QTY.	PART NO./DESCRIPTION
1	4	92000A124 SCREW, M3.0X0.5, PPHMS, 14.0mm
2	1	CTIA-00935(0.02) ACTIVE HEAT SINK w/PAD
3	1	TX2i_TX2-4GB MODULE



REMOVE PROTECTIVE FILM FROM THERMAL PAD
APPLY ONE DROP OF LIGHT DUTY THREADLOCKER ON THREADS
TORQUE FASTENERS TO 5.2 in-lb

THIS ASSEMBLY MOUNTS TO THE CARRIER (NOT SHOWN) WITH ITS OWN HARDWARE SET THAT ITEM 1 FASTENS TO



Connect Tech Inc.
www.connecttech.com

CTIX-00087(0.00)