

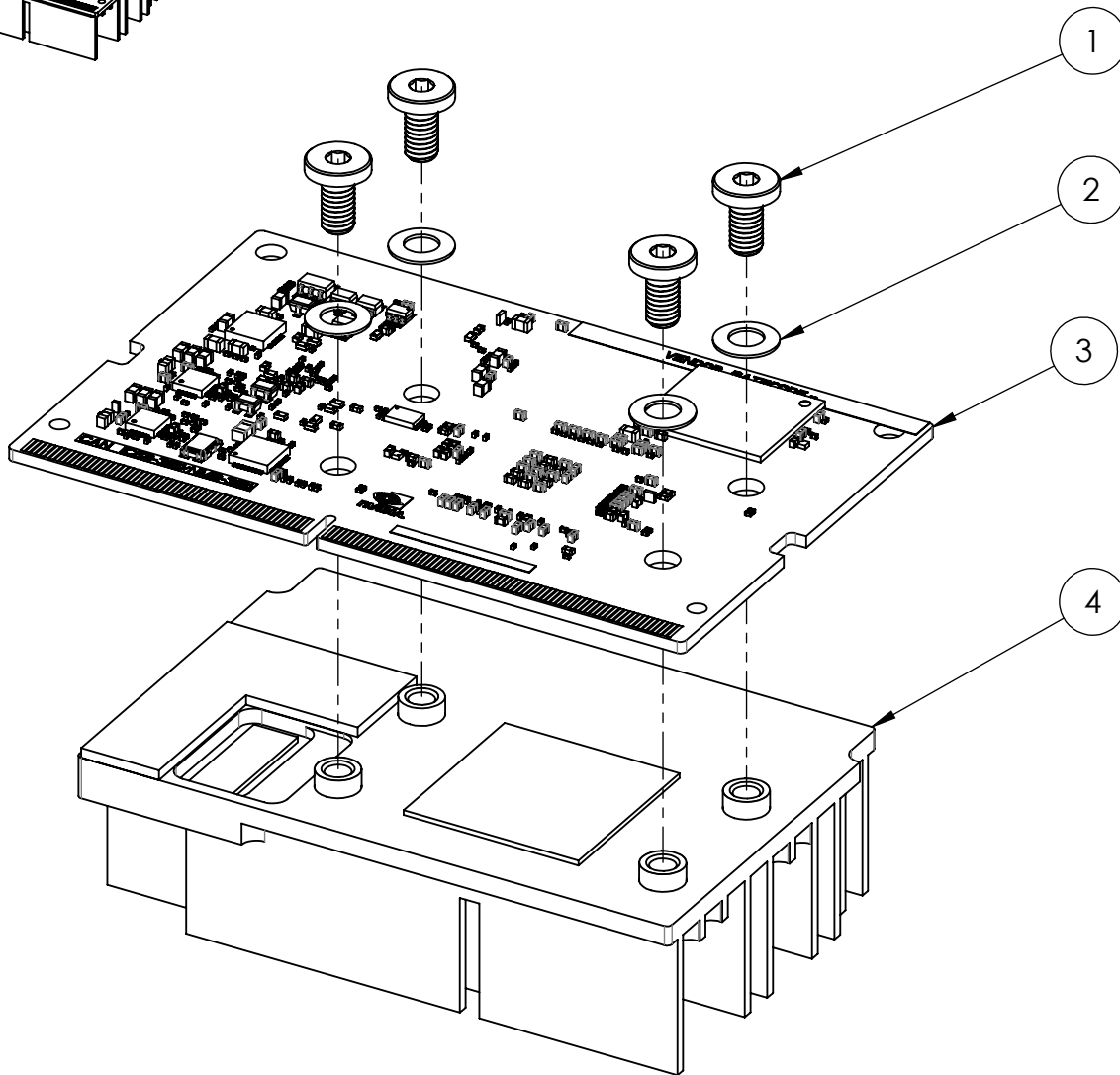
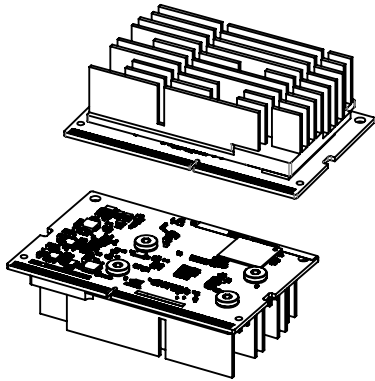


ESD WARNING

## XHG308 INTEGRATED ASSEMBLY

ITEM	QTY.	PART NO./DESCRIPTION
1	4	SSH-M3-6 SCREW, M3.0X0.5, SH ULTRA LOW, 6.0mm
2	4	96445K101 BELLEVILLE SPRING WASHER, M3.0
3	1	NANO MODULE
4	1	CTIA-00225(0.03) PASSIVE HEAT SINK w/PADS

REMOVE PROTECTIVE FILM FROM THERMAL PADS  
APPLY ONE DROP OF LIGHT DUTY THREADLOCKER ON THREADS  
TORQUE FASTENERS TO 5.2 in-lb



**Connect Tech Inc.**  
www.connecttech.com

CTIX-00098(0.00)