

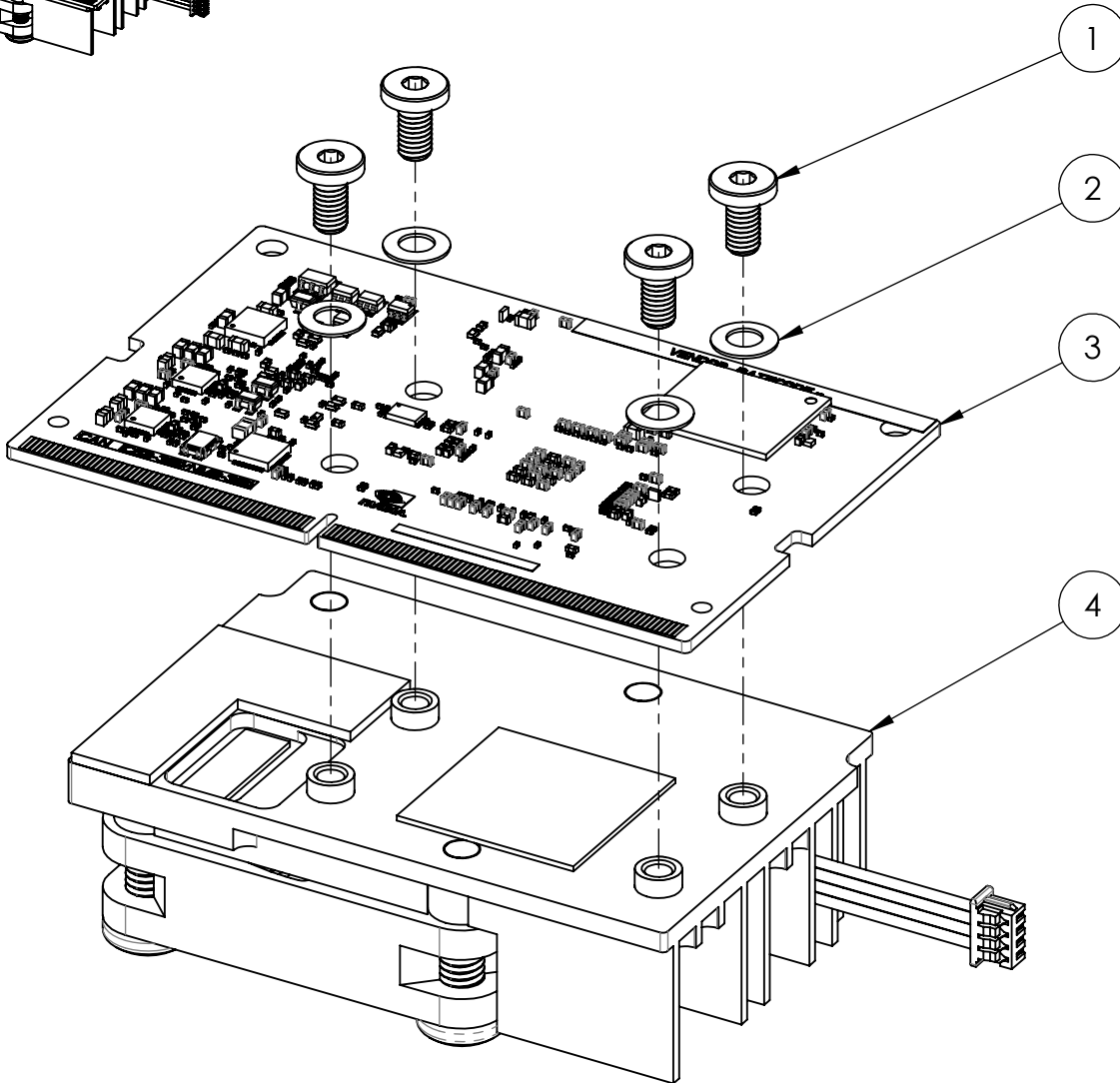
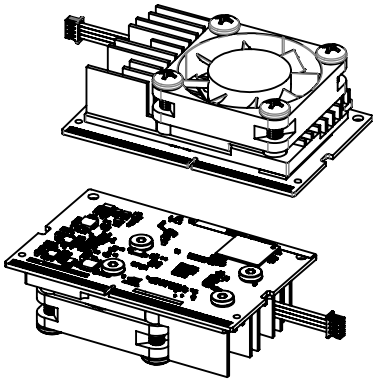


ESD WARNING

XHG309 INTEGRATED ASSEMBLY

ITEM	QTY.	PART NO./DESCRIPTION
1	4	SSH-M3-6 SCREW, M3.0X0.5, SH ULTRA LOW, 6.0mm
2	4	96445K101 BELLEVILLE SPRING WASHER, M3.0
3	1	NANO MODULE
4	1	CTIA-00226(0.03) ACTIVE HEAT SINK w/PADS

REMOVE PROTECTIVE FILM FROM THERMAL PADS
APPLY ONE DROP OF LIGHT DUTY THREADLOCKER ON THREADS
TORQUE FASTENERS TO 5.2 in-lb



Connect Tech Inc.
www.connecttech.com

CTIX-00100(0.00)