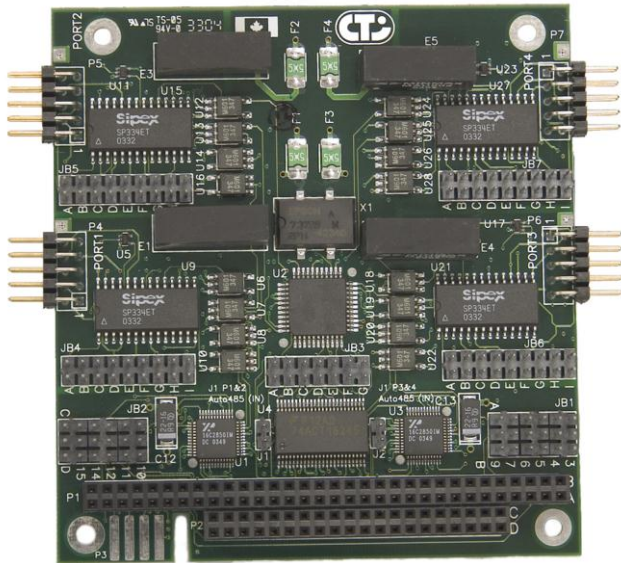


USER MANUAL

Xtreme/104 Opto



Copyright Notice

The information contained in this document is subject to change without notice. Connect Tech Inc. shall not be liable for errors contained herein or for incidental consequential damages in connection with the furnishing, performance, or use of this material. This document contains proprietary information that is protected by copyright. All rights are reserved. No part of this document may be photocopied, reproduced, or translated to another language without the prior written consent of Connect Tech, Inc.

Copyright © 2011 by Connect Tech Inc.

Trademark Acknowledgement

Connect Tech Inc. acknowledges all trademarks, registered trademarks and/or copyrights referred to in this document as the property of their respective owners.

Not listing all possible trademarks or copyright acknowledgments does not constitute a lack of acknowledgment to the rightful owners of the trademarks and copyrights mentioned in this document.

Revision History

Revision 0.10 March 21, 2012

Changes to example figures and part numbers.

Revision 0.09 November 23, 2011

Changes to example figures.

Revision 0.08 September 19, 2011

Added the Xtreme/104 Opto with industry compatible features.

Revision 0.07 July 16, 2010

Updated Table 1: Port Address Settings

Revision 0.06 December 3, 2008

Updated manual with new format
Added addendum information

Revision 0.05 June 27, 2005

Release

Table of Contents

Copyright Notice	2
Trademark Acknowledgement.....	2
Revision History	2
Table of Contents.....	3
Introduction.....	5
Features.....	5
Optical Isolation.....	5
Xtreme/104 Opto Components Standard	6
Figure 1: Xtreme/104 Opto Board Diagram (2 port model).....	6
Figure 2: Xtreme/104 Opto Board Diagram (4 port model).....	7
Xtreme/104 Opto Components XTG054/Industry Compatible	8
Figure 3: Xtreme/104 Opto Board Diagram (4 port model).....	8
Hardware Installation.....	9
Installing the Xtreme/104 Opto Into Your System	9
Hardware Configuration	9
Table 1: Standard Port Address Settings.....	10
Hardware Configuration Industry Compatible XTG054.....	10
Table 2: Industry Compatible Port Address Settings	10
Table 3: Industry Compatible Port Mapping.....	10
Figure 4: Standard Port Address Selection Jumper Setting Examples	11
Figure 5: Industry Compatible Port Address Selection Jumper Setting Examples	11
Custom Port Addresses	11
Interrupt Selection.....	12
Figure 6: Interrupt (IRQ) Selection Jumper Setting Examples	13
Baud Rate Capabilities.....	14
Figure 7: Baud Rate Selection Jumper Setting Example.....	14
Table 4: Baud Rate Selection Jumper Setting Example	14
Software Installation.....	15
Specifications.....	16
Operating Environment.....	16
Power Requirements	16
PC Bus Interface	16
UARTs	16
RS-232	16
RS-422/485	16
Control Signals.....	17
Optical Isolation.....	17
Dimensions	17
Connectors/Interface	17
Connectors/Pinouts	18
Table 5: P4/P5/P6/P7 – 10-pin Port Header Pinouts	18
Table 6: DB-9 Cable Connector Pinouts.....	19
Factory Default Settings	19
Table 7: Xtreme/104 Opto Default Settings.....	19
RS-232/RS-422/485 Interfaces	20
Electrical Interface Selection	20
Figure 8: Electrical Interface Jumper Settings Example	20
Full Duplex Mode.....	21
Figure 9: Full Duplex Mode Jumper Setting Example.....	21
Half Duplex RS-422/485	22
Figure 10: Half Duplex Mode Jumper Setting Example	22
Half Duplex RS-422/485 Industry Compatible Model (XTG054).....	23

Multi-drop 4-wire Mode.....	23
Figure 11: Multi-drop 4-wire Mode Jumper Setting	23
Line Termination.....	24
Figure 12: RS-422/485 Partial Schematic Xtreme/104 Opto	24
Figure 13: Line Bias and Termination Jumper Setting Example.....	25
RS-422/485 Cable Wiring Examples	26
Figure 14: RS-422/485 Wiring Diagram (4-wire).....	26
Figure 15: RS-422/485 Wiring Diagram (2-wire).....	26
Certification	27
Certification for Xtreme/104 Opto	27
Limited Lifetime Warranty	27
Customer Support Overview	28
Contact Information	28

Introduction

Xtreme/104 Opto adapters are high performance multi-port serial adapters for PC/104 stacks that enable you to connect up to four serial devices per board. Each port is optically isolated from each other and from the board up to 3.0 kV AC, RMS.

Features

- Two or four asynchronous serial ports
- RS-232 and/or RS-422/485 electrical interfaces
- Interfaces are jumper selectable for each port
- Each port is individually optically isolated up to 3.0 kV AC peak to peak
- Industrial temperature model operates between -40 and 85 degrees Celsius (-40 to 185 degrees Fahrenheit)
 - Industry Compatible model is -40 to +85 Celsius.
- Multiple Xtreme/104 Opto adapters may reside in a system
- 16C2850 dual UARTs control each port. The 16C2850 has 128 byte transmit and receive FIFO buffers for each port and automatic software/hardware flow control
- Each port has independent baud rate selection offering baud rates from 50 bps – 230.4 Kbps (RS-232) and 50 bps – 460.8 Kbps (RS-422/485), with 5, 6, 7 or 8 data bits and 1, 1.5, 2 stop bits, odd or even parity
- On-board jumpers allow the selection of 8 predefined I/O address sets
- On-board jumpers allow the selection of 1, 2 or 4 IRQ lines. Choose from interrupts 3, 4, 5, 6, 7, 9, 10, 11, 12, 14 and 15
- Driver support for Windows 9x, Windows CE/CE .NET, Windows XP and Windows NT/2000, Windows 7, Linux, Solaris, SCO Unix, QNX 4, 6 (Neutrino) and VxWorks

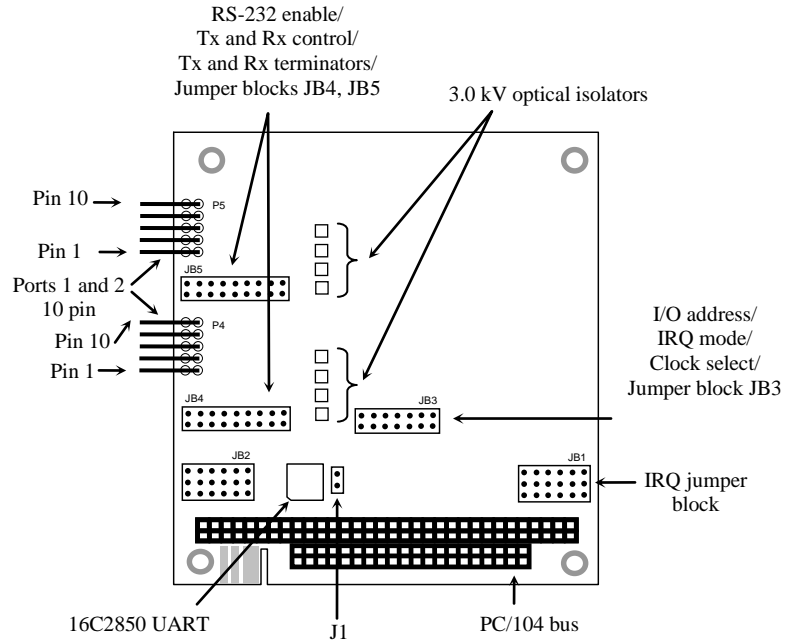
Optical Isolation

The Xtreme/104 Opto uses opto couplers and isolated DC to DC converters to achieve optical isolation. The board provides 3.0 kV AC RMS isolation between each port and also between each port and your system. There are some considerations to note.

- Optical isolation can degrade if the board is subjected to high humidity, especially conditions that are right for condensation to occur.
- Optical isolation can degrade if airborne dust is allowed to accumulate on the surface of the board.
- An electrical shock hazard could exist depending on what equipment is connected to the Xtreme/104 Opto. Under these circumstances the wiring and/or cabling leading to the serial port connections may have high voltages on them. You must use appropriately insulated cables in these situations.
- Please contact your Connect Tech [Technical Support Specialist](#) for any questions related to the application of optical isolation.

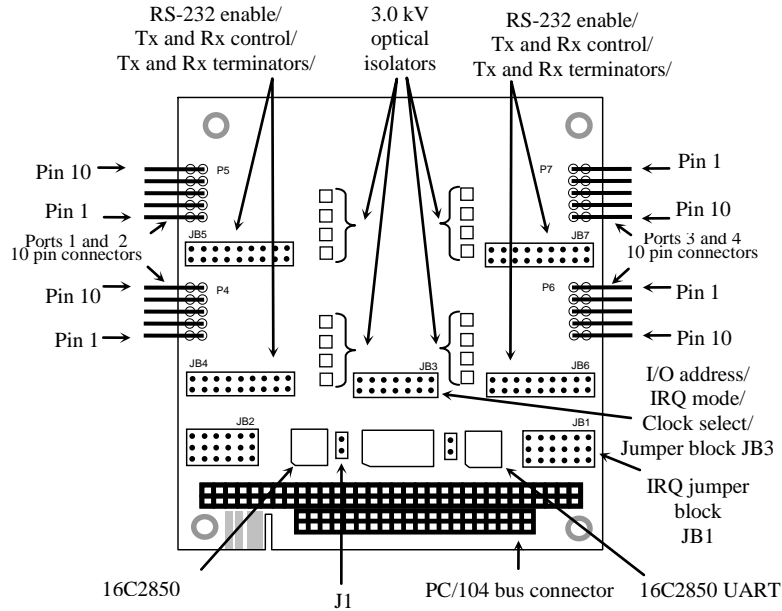
Xtreme/104 Opto Components Standard

Figure 1: Xtreme/104 Opto Board Diagram (2 port model)



NOTE:
 Revision A and B Xtreme/104 Opto adapters do not have positions H and I on jumper blocks JB4, JB5, JB6 and JB7

Figure 2: Xtreme/104 Opto Board Diagram (4 port model)

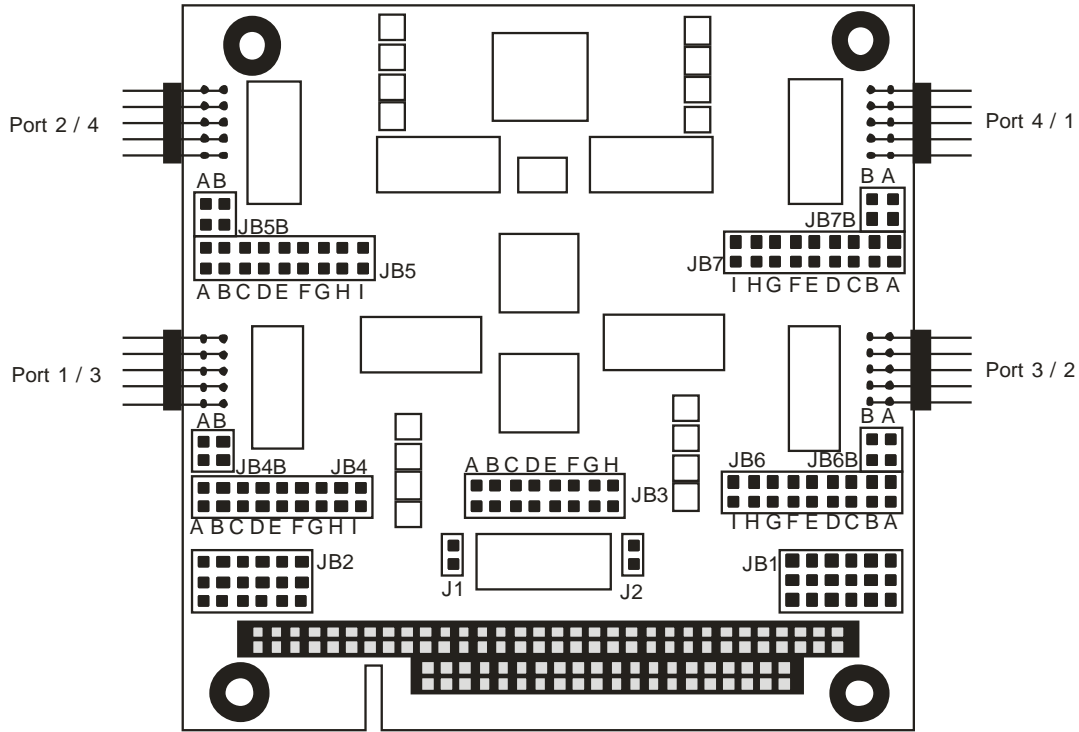


NOTE:

Rev A and B Xtreme/104 Opto adapters do not have positions H and I on jumper blocks, JB4, JB5, JB6, and JB7

Xtreme/104 Opto Components XTG054/Industry Compatible

Figure 3: Xtreme/104 Opto Board Diagram (4 port model)



Port X / Y

- X = Standard Connect Tech Addressing Scheme
- Y = Industry Compatible Addressing Scheme

Hardware Installation

Installing the Xtreme/104 Opto Into Your System

Before you begin, take a minute to ensure that your package includes the required components.

- One Xtreme/104 Opto board
- One CD containing software and documentation
- One DB-9 cable (optional)

If any of these components is missing, contact [Connect Tech](#) or your reseller.

For ease of installation, be sure you have configured all jumpers prior to adding the Xtreme/104 Opto to your PC/104 stack (See [Hardware Configuration](#) section).

Hardware Configuration

Port Addresses

Port addresses are configured with jumper block JB3 on the Xtreme/104 Opto adapter. Jumpers A, B, and C select a set of port addresses for the ports.

Status Port

Some operating system device drivers can utilize an Interrupt Status Port. Use of the Interrupt Status Port can improve your system's efficiency. The Xtreme/104 Opto offers a status port and this port is enabled and disabled using jumper F on jumper block JB3.

Please refer to [Table 1](#) for a list of supported status port addresses and to [Figure 1](#) and [Figure 2](#) for a description and location of jumper block JB3.

Technical Tip:

Please make certain the Status Port Enable jumper is disabled if your application does not use the Status Port. This eliminates the possibility of an address conflict with another device in your system.

Table 1: Standard Port Address Settings

Jumper			Ports				
A	B	C	1	2	3	4	Status
on	on	on	150	158	160	168	190
off	on	on	250	258	260	268	290
on	off	on	1A0	1A8	1B0	1B8	1E0
off	off	on	2A0	2A8	2B0	2B8	2E0
on	on	off	100	108	110	118	140
off	on	off	200	208	210	218	240
on	off	off	380	388	390	398	3C0
off	off	off	300	308	310	318	340

NOTE:

Addresses for ports 3 and 4 do not apply to the Xtreme/104 Opto two port models. Port addresses are expressed in hex.

Hardware Configuration Industry Compatible XTG054**Table 2: Industry Compatible Port Address Settings**

Jumper			Ports				
A	B	C	1	2	3	4	Status *
on	on	on	3F8	2F8	3E8	2E8	220
off	on	on	3E8	2E8	3A8	2A8	220
on	off	on	380	388	288	230	228
off	off	on	240	248	260	268	228
on	on	off	100	108	110	118	240
off	on	off	120	128	130	138	244
on	off	off	140	148	150	158	248
off	off	off	160	168	170	178	250

*The status port is addressed with a single byte.

Table 3: Industry Compatible Port Mapping

Note that when operating in Industrial Compatible mode the Port numbering will not match what is shown on the silk screen.

XTG054 Port Mapping	
Connect Tech Port Numbering	Industry Compatible Port Mapping
1	3
2	4
3	2
4	1

Figure 4: Standard Port Address Selection Jumper Setting Examples

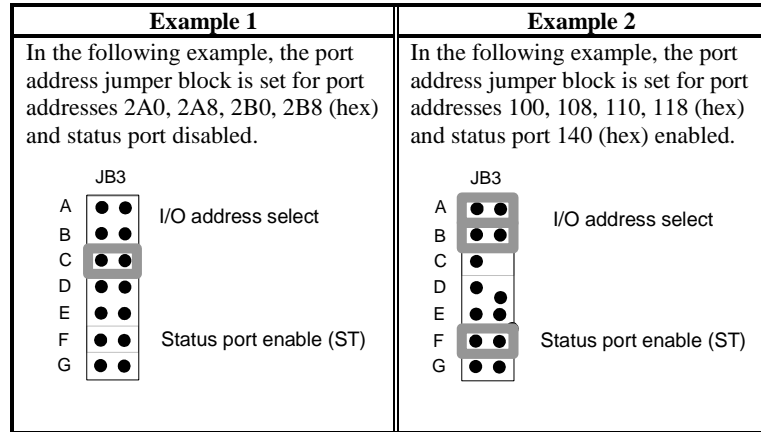
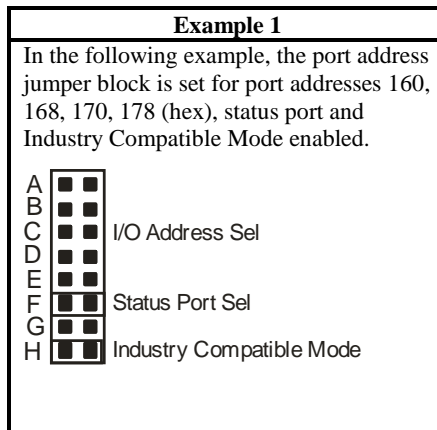


Figure 5: Industry Compatible Port Address Selection Jumper Setting Examples



Jumper H is used to enable Industry Compatible Addressing modes.

Custom Port Addresses

Other port addresses can be available by making changes to the CPLDs found on the Xtreme/104 Opto adapter. If you require specific port addresses not listed in [Table 1](#), please contact a Connect Tech [Customer Support Specialist](#) for further information.

Interrupt Selection

You can configure an interrupt request line (IRQ) with the jumper blocks JB1, JB2 and JB3 on the Xtreme/104 Opto adapter. Please refer to [Figure 1](#) and [Figure 2](#) for a description and location of the jumper blocks JB1, JB2 and JB3.

You are able to configure the Xtreme/104 Opto adapter for four different IRQ modes.

Mode 1 (one IRQ):

1. Ensure there are no jumpers across positions E and D on the JB3 jumper block.
2. All ports interrupt on one IRQ by setting jumpers on the A or C rows and the middle rows of jumper blocks JB1 or JB2.

Mode 2 (two IRQs):

1. Jumper position D on the JB3 jumper block.
2. The odd ports (ports 1, 3) interrupt on one IRQ by setting jumpers on the B or D rows and the middle rows of jumper blocks JB1 or JB2.
3. The even ports (ports 2, 4) interrupt on one IRQ by setting jumpers on the A or C rows and the middle rows of jumper blocks JB1 or JB2.

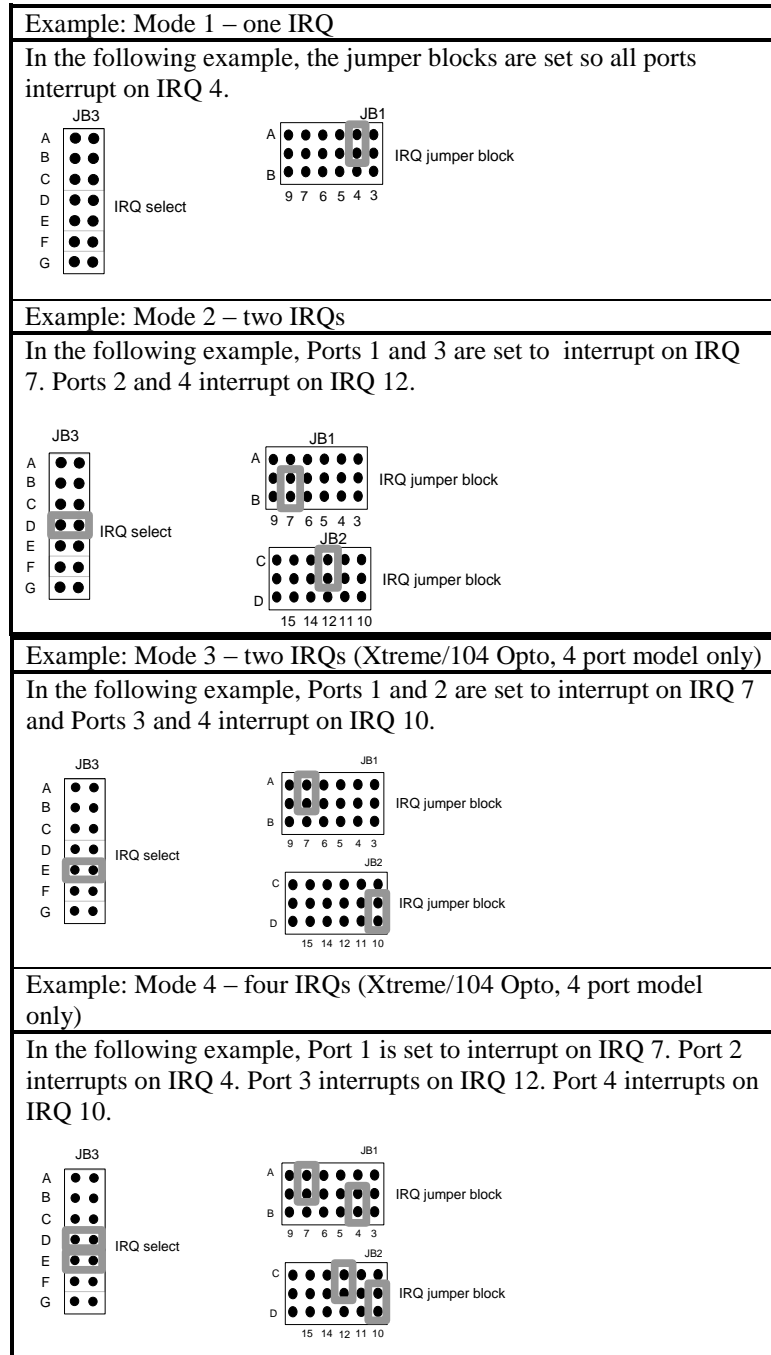
Mode 3 (two IRQs – Xtreme/104 Opto, 4 port model only):

1. Jumper position E on the JB3 jumper block.
2. The first two ports (ports 1, 2) interrupt on one IRQ by setting jumpers on the A or C rows and the middle rows of jumper blocks JB1 and JB2.
3. The last two ports (ports 3, 4) interrupt on one IRQ by setting jumpers on the B or D rows and the middle rows of jumper blocks JB1 and JB2.

Mode 4 (four IRQs – Xtreme/104 Opto, 4 port model only):

1. Jumper positions D and E on the JB3 jumper block.
2. To set an IRQ for Port 1 install a jumper across a pair of pins on a row and the middle row of IRQ block JB1.
3. To set an IRQ for Port 2 install a jumper across a pair of pins on B row and the middle row of IRQ block JB1.
4. To set an IRQ for Port 3 install a jumper across a pair of pins on C row and the middle row of IRQ block JB2.
5. To set an IRQ for Port 4 install a jumper across a pair of pins on D row and the middle row of IRQ block JB2.

Figure 6: Interrupt (IRQ) Selection Jumper Setting Examples



Baud Rate Capabilities

The standard Xtreme/104 Opto is capable of baud rates up to 460.8 kbps (4x oscillator) or 115.2 Kbps (1x oscillator) depending on whether a shorting block is installed across position G on the JB3 jumper block. Please refer to [Figure 1](#) and [Figure 2](#) for a description and location of the jumper block JB3. Please refer to [Table 2](#) for a list of standard and extended baud rates for the Xtreme/104 Opto.

Figure 7: Baud Rate Selection Jumper Setting Example

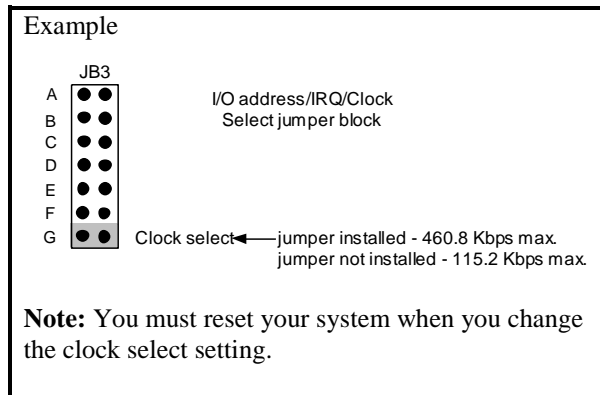


Table 4: Baud Rate Selection Jumper Setting Example

Standard Baud Rate. (1x - set in software)	Max. Baud Rate (4x standard)
50	200
75	300
150	600
300	1200
600	2400
1200	4800
2400	9600
4800	19.2K
7200	28.8K
9600	38.4K
19.2K	76.8K
38.4K	153.6K
57.6K	230.4K
115.2K	460.8K

Software Installation

Xtreme/104 Opto adapters are standard multi-port serial adapters that utilize 16C2850 UARTs. In many cases, users have software that will interface directly to the Xtreme/104 Opto adapters. Many operating systems come with handlers to control access to multiple 8250 style UARTs. Xtreme/104 Opto adapters currently have device drivers for the following operating systems:

- DOS
- Linux
- QNX 2
- QNX 4
- QNX 6
- SCO Unix/Openserver
- Solaris
- Windows 2000/XP/Seven
- Windows 95/98/Me
- Windows CE
- Windows CE .NET
- Windows NT
- Windows Embedded
- VxWorks

If you require further information please contact Connect Tech [Customer Support](#).

NOTE:

The CD that ships with your Xtreme/104 Opto adapter may include **howto.txt** or **readme.txt** files. Please examine these files for technical tips or release notes concerning installation and configuration of various device drivers and software utilities. If you did not receive a CD containing the driver for your operating system or you require additional information, please go to the [Download Zone](#) of the [Support Center](#) on the Connect Tech website for product manuals, installation guides, diagnostic utilities and the most recent device driver software.

Specifications

Operating Environment

Storage: -65° C to 150° C

Operating: 0° C to 70° C (standard version), -40° C to 85° C
(industrial and XTG054 versions)

Humidity: 0 to 90% relative humidity, non-condensing

Power Requirements

Xtreme/104 Opto (2 and 4 port models)
+5 VDC, +/-5% @ 260 mA (typical)

PC Bus Interface

PC interrupts are jumper selectable, (3, 4, 5, 6, 7, 9, 10, 11, 12, 14, and 15)
Base address for UARTs is jumper selectable. Each UART requires 8 I/O addresses
One PC/104 16-bit expansion connector

UARTs

- 16C2850 dual UARTs communication controllers
- On chip 128 byte TxD and RxD FIFO buffers per port
- Automatic RTS/CTS (Hardware) flow control
- Automatic XON/XOFF (Software) flow control
- Compatible with 16550 style software drivers

RS-232

Programmable baud rate generator - up to 230.4K baud on all RS-232 ports
Full duplex, point-to-point

RS-422/485

Programmable baud rate generator - up to 460.8K baud on all RS-422/485 ports
Full duplex, point-to-point or multi-drop
Half duplex, point-to-point or multi-drop
Jumper selectable RxD, TxD, RTS, and CTS line/bias termination resistors
Compatible with RS-422

Control Signals

RS-232: TxD; RxD; RTS; CTS
RS-422/485: RTS \pm ; TxD \pm ; CTS \pm ; RxD \pm

Optical Isolation

3.0 kV AC RMS on every signal of every port.

Dimensions

Length: 10.40 cm (4.09 inches) – includes connectors
Height: 1.10 cm (0.43 inches)
Width: 9.60 cm (3.78 inches)
Compliant to PC/104 Specification 2.3

Connectors/Interface

Xtreme/104 Opto (2 port model)

Two 10-pin header connectors

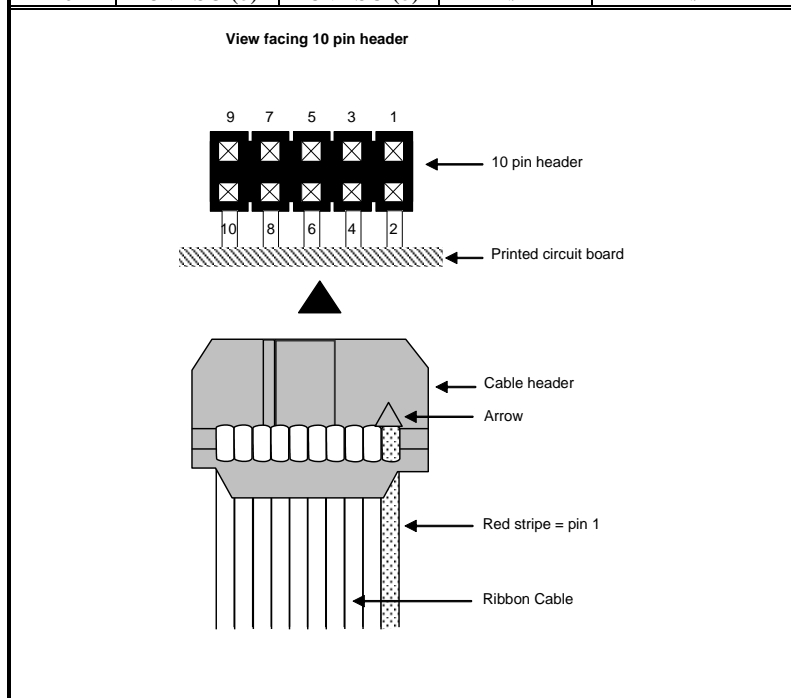
Xtreme/104 Opto (4 port model)

Four 10-pin header connectors

Connectors/Pinouts

Table 5: P4/P5/P6/P7 – 10-pin Port Header Pinouts

Pin No.	RS-232	Direction	Direction	Direction
1	NC	NC	RxD (+)	input
2	NC	NC	CTS (-)	input
3	RxD	input	RxD (-)	input
4	RTS	output	RTS (+)	output
5	TxD	output	TxD (+)	output
6	CTS	input	CTS (+)	input
7	NC	NC	TxD (-)	output
8	NC	NC	RTS (-)	output
9	isolated gnd.	signal gnd.	isolated gnd.	signal reference
10	+5V ISO (b)	+5V ISO (b)	N/A	N/A

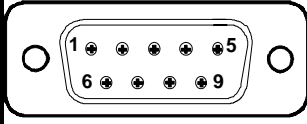


NOTE:

- (a) The red stripe on the CAG104 cable indicates pin 1 on the 10-pin cable header connector.
- (b) +5V ISO can provide up to 50mA to power other circuits. **Leave this pin not connected if you are not using it.**

Table 6: DB-9 Cable Connector Pinouts

Pin No.	RS-232 Signal	Direction	RS-422/485 Signal	Direction
1	NC	NC	RxD (+)	input
2	RxD	input	RxD (-)	input
3	TxD	output	TxD (+)	output
4	NC	NC	TxD (-)	output
5	Isolated Gnd	signal gnd	Isolated Gnd	signal reference
6	NC	NC	CTS (-)	input
7	RTS	output	RTS (+)	output
8	CTS	input	CTS (+)	input
9	NC	NC	RTS (-)	output



Male DB-9 Connector

Part Number: CAG104

You must connect pin 5 (the isolated ground) to the ground of the connected external device.

The red stripe on the CAG104 cable indicates pin 1 on the 10 pin header connector.

Ensure that you terminate the CTS signal if not required by your application. This is commonly done by connecting CTS to RTS. Failure to do so may result in a loss of a performance on your Xtreme/104 Opto adapter.

Factory Default Settings

Table 7: Xtreme/104 Opto Default Settings

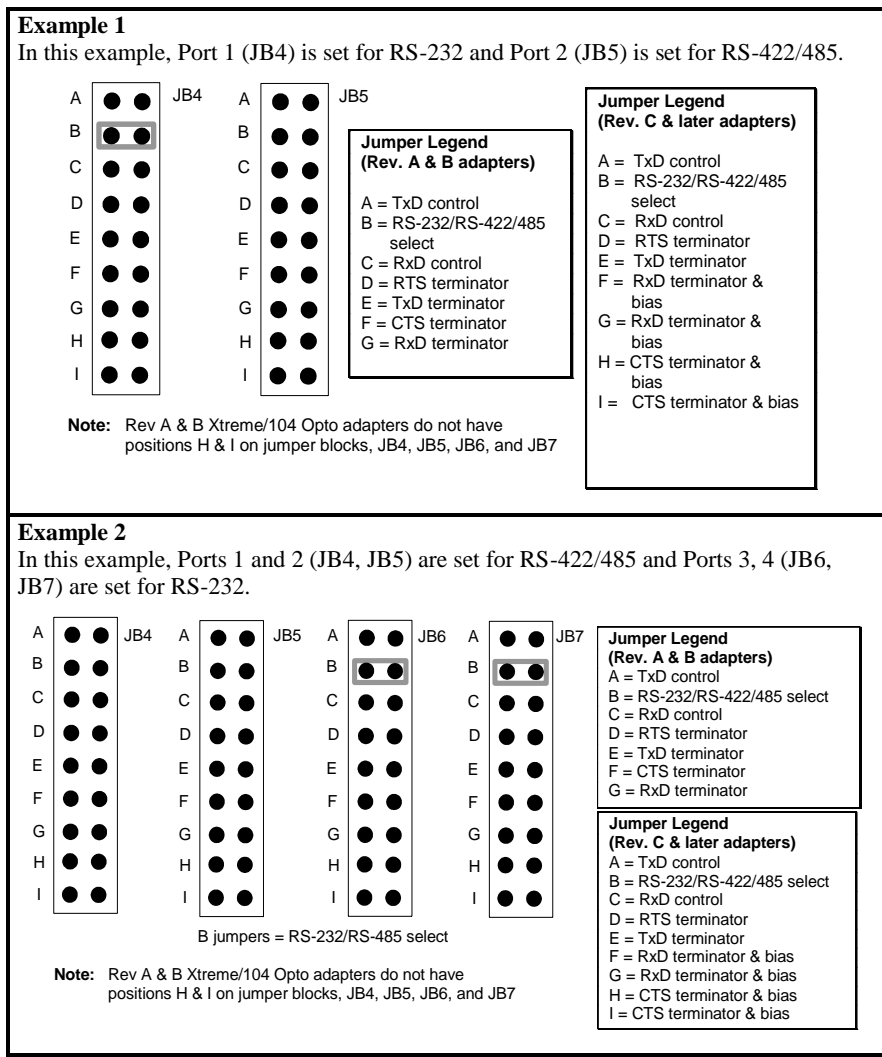
Function	Factory Setting
I/O Port Address	JB3 is set for I/O port addresses 300, 308, 310, 318 hex and the status port disabled (positions A, B, C, not jumpered).
Status Port Address	JB3 is set for the status port disabled (position F not jumpered).
Baud Rate	JB3 is set for the maximum baud rate of 115.2 Kbps (position G not jumpered).
IRQs	<ol style="list-style-type: none"> JB3 set for all ports interrupting on a single interrupt (positions D and E not jumpered). JB1 and JB2 jumper blocks set for no interrupts (all positions not jumpered).
Electrical Interface	JB4, JB5, JB6 and JB7 set for all ports RS-422/485 (position B not jumpered).
RS-422/485 Mode	<ol style="list-style-type: none"> JB4, JB5, JB6 and JB7 set for all ports running in full duplex mode (positions A and C not jumpered). J1 and J2 are not jumpered.
Termination	JB4, JB5, JB6 and JB7 set for all ports being not terminated (positions D, E, F, G, H, and I, not jumpered).
<p>See Figure 1 and Figure 2 for the locations of these jumper blocks.</p> <p>Revisions A and B of the Xtreme/104 Opto adapter do not have bias resistors</p> <p>Revisions A and B of the Xtreme/104 Opto adapter do not have positions H and I on jumper blocks, JB4, JB5, JB6, and JB7</p>	

RS-232/RS-422/485 Interfaces

Electrical Interface Selection

The Xtreme/104 Opto adapter provides jumper selectable RS-232 and RS-422/485 electrical interfaces on each port. Jumper blocks JB4, JB5, JB6 and JB7 set the electrical interfaces for the individual ports 1, 2, 3 and 4 respectively. To set a port to the RS-232 interface, install a jumper across the B position of the corresponding jumper block. If no jumper is installed, the port will default to the RS-422/485 interface. [Figure 1](#) and [Figure 2](#) show the locations of jumper blocks JB4, JB5, JB6 and JB7.

Figure 8: Electrical Interface Jumper Settings Example



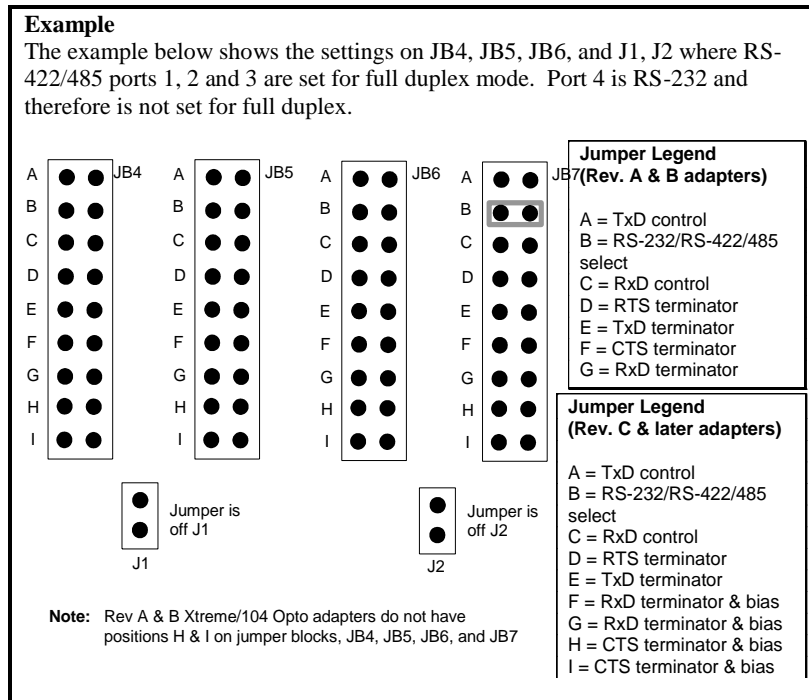
NOTE:
You can set up the RS-232 serial ports to run at up to 230.4 Kbps, but you must use good quality serial cables with lengths that do not exceed 2 meters.

Full Duplex Mode

If you wish to run the individual RS-422/485 ports in full duplex mode, do not install jumpers across positions A and C of jumper blocks JB4, JB5, JB6 and JB7. In this mode, transmit and receive are active all the time. This mode is typically used in point-to-point situations much like RS-232.

See [Figure 1](#) and [Figure 2](#) for the locations of jumper blocks on your model.

Figure 9: Full Duplex Mode Jumper Setting Example



NOTE:

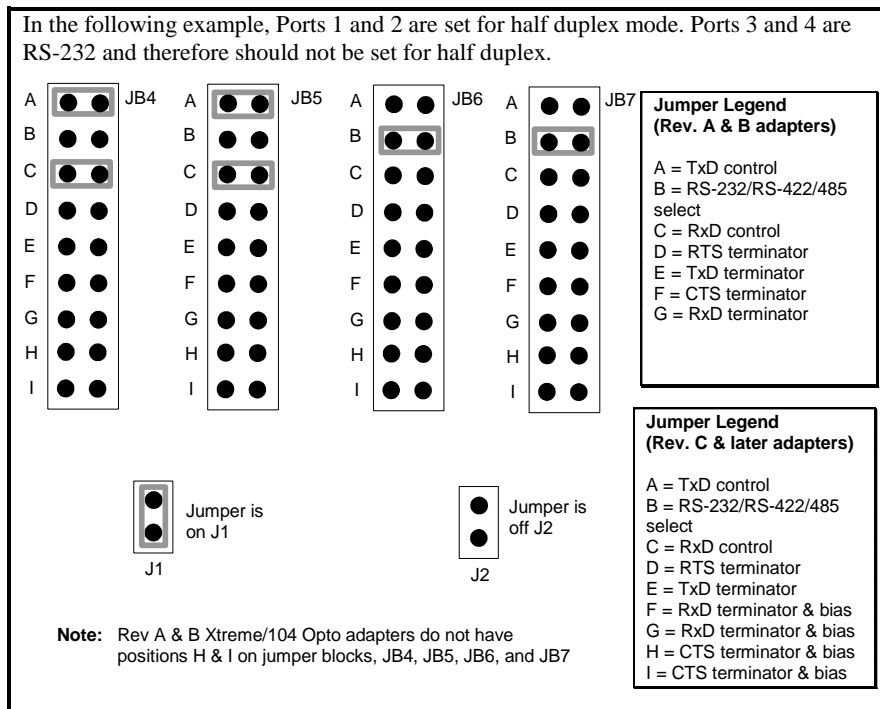
J1 controls ports 1 and 2 and J2 controls ports 3 and 4. If both ports 1 and 2 are set for full duplex then J1 should not be jumpered. If both ports 3 and 4 are set for full duplex then J2 should not be jumpered.

Half Duplex RS-422/485

Place jumpers on positions A and C of jumper blocks JB4, JB5, JB6 and JB7 to run the individual RS-422/485 ports in half duplex mode. In this mode your Xtreme/104 Opto adapter controls the transmitter and receiver circuits. RTS is turned on prior to and during transmission to cause the transmit driver to enable and the receiver to disable. RTS is turned off when not transmitting to cause the transmit driver to disable (tri-stated) and the receiver to enable. The Xtreme/104 Opto adapter is responsible for timing the RTS toggle.

See [Figure 1](#) and [Figure 2](#) for jumper block locations.

Figure 10: Half Duplex Mode Jumper Setting Example



NOTE:

J1 controls ports 1 and 2 and J2 controls ports 3 and 4. If both ports 1 and 2 are set for full duplex then J1 should not be jumpered. If both ports 3 and 4 are set for full duplex then J2 should not be jumpered.

Half Duplex RS-422/485 Industry Compatible Model (XTG054)

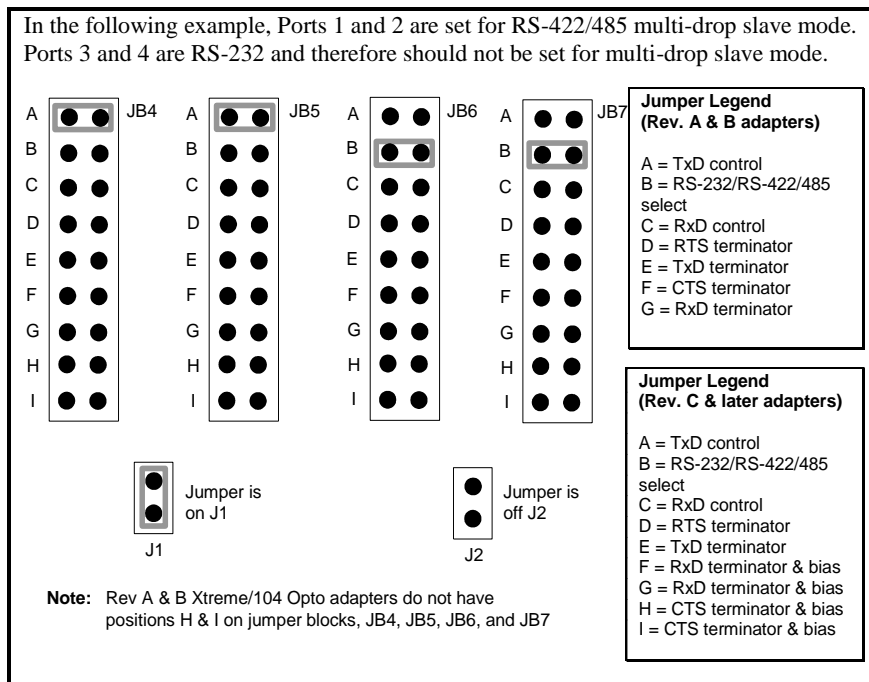
Jumper blocks JB4B, JB5B, JB6B and JB7B can be used to simplify your RS485 wiring. Install both the A and B jumper blocks to make the TX+ to RX+ and TX- to RX- connections.

Multi-drop 4-wire Mode

Place a jumper on position A of jumper blocks JB4, JB5, JB6, JB7 and on J1 (ports 1 and 2) or J2 (ports 3 and 4) to run the individual RS-422/485 ports in multi-drop slave mode. In this mode the TxD line driver is enabled only when data is transmitted and RxD is enabled all the time. This mode is typically used in multi-drop 4 wire connections.

See [Figure 1](#) and [Figure 2](#) for jumper block locations.

Figure 11: Multi-drop 4-wire Mode Jumper Setting



NOTE:

J1 controls ports 1 and 2 and J2 controls ports 3 and 4. If both ports 1 and 2 are set for full duplex then you should not jumper J1. If both ports 3 and 4 are set for full duplex then you should not jumper J2.

Line Termination

Use jumper blocks JB4, JB5, JB6 and JB7 to terminate and bias TxD \pm , RxD \pm , RTS \pm , and CTS \pm on the individual RS-422/485 ports through jumper selectable 150 Ohm \square fixed resistors. Please note that revisions A and B of the Xtreme/104 Opto adapter do not have bias resistors (refer to [KDB-284](#) in the Connect Tech Knowledge Database found in the Support section of our website www.connecttech.com).

See below for a partial schematic of the RS-422/485 circuit for the Xtreme/104 Opto and [Figure 1](#) and [Figure 2](#) for jumper locations for your model.

Figure 12: RS-422/485 Partial Schematic Xtreme/104 Opto

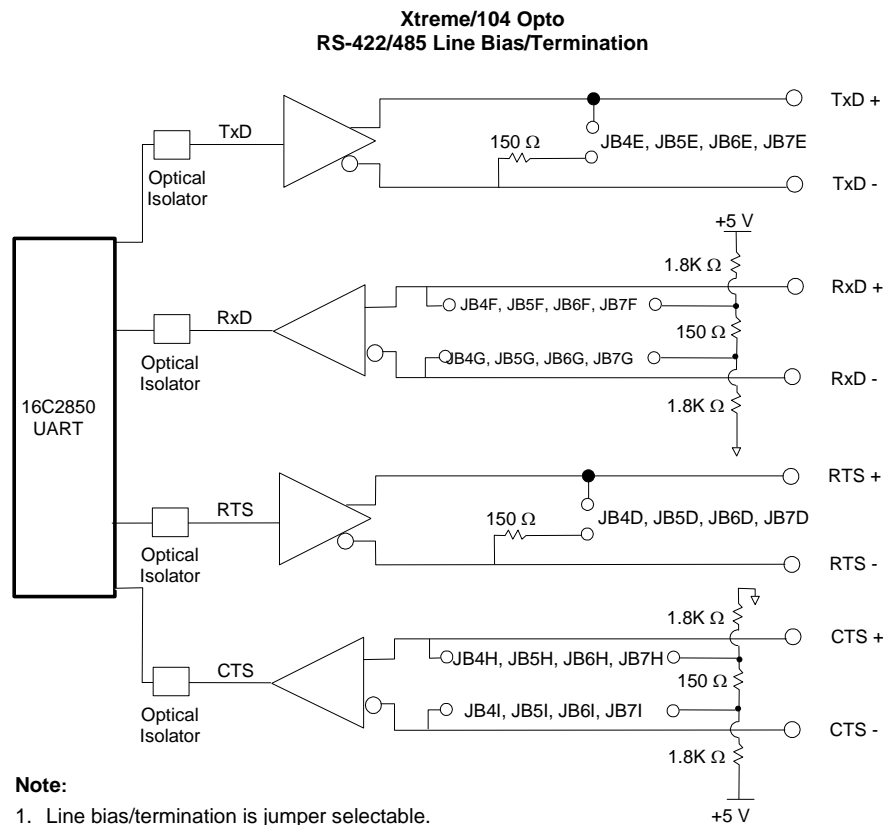
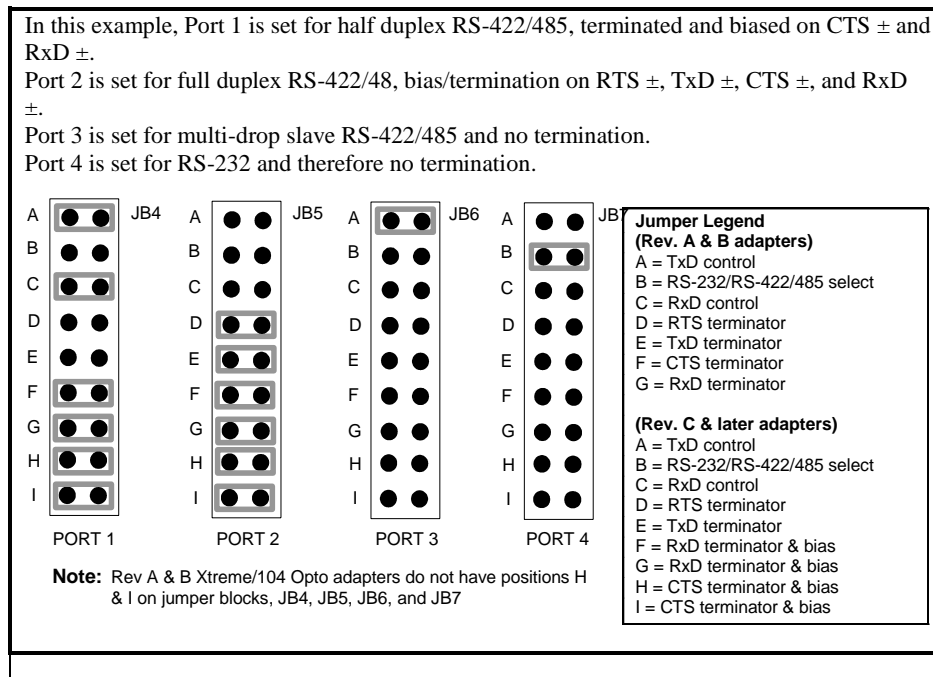


Figure 13: Line Bias and Termination Jumper Setting Example

NOTE:

If you want to terminate half duplex RS-422/485 ports, jumper position G (Rev. A and B adapters) or positions F and G (Rev. C adapters and later) on the corresponding jumper block.

To terminate full duplex and multi-drop slave ports, jumper positions D, E, F, G (Rev. A and B adapters) or D, E, F, G, H, and I (Rev. C adapters and later), on the corresponding jumper block.

For RS-232 ports do not jumper positions D, E, F, G, H, and I on the corresponding jumper block.

RS-422/485 Cable Wiring Examples

Figure 14: RS-422/485 Wiring Diagram (4-wire)

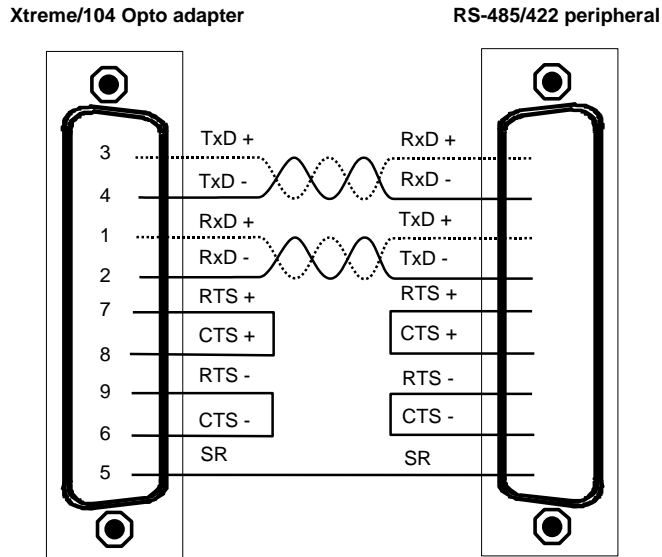
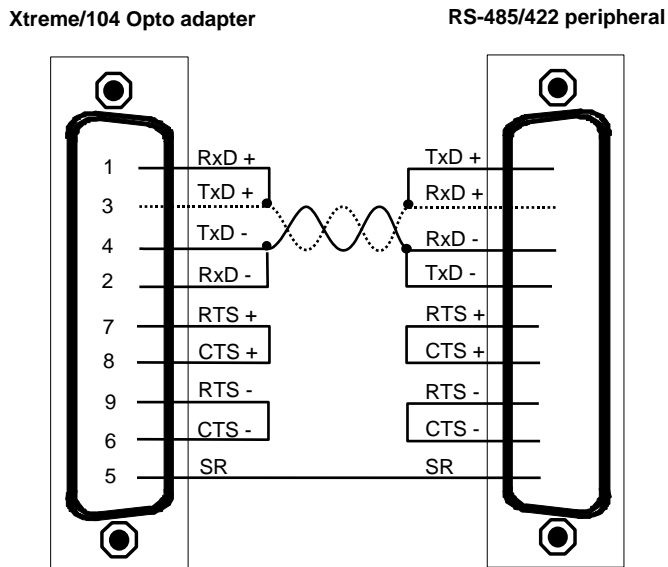


Figure 15: RS-422/485 Wiring Diagram (2-wire)



NOTE:
 The RS-422/485 electrical interface consists of a differential signaling scheme. You should always connect the signals with twisted pairs. Signal reference *must* be connected.

Certification

Certification for Xtreme/104 Opto

The Xtreme/104 Opto product family is to be included into a device ultimately subject to FCC, DOC/IC, and CE certification. The customer is responsible for bringing the completed device into compliance prior to resale.

Connect Tech has designed the Xtreme/104 Opto with EMI and EMC considerations such as:

- Ground and power planes
- Controlled slew-rate signals
- EMI/EMC reducing PCB layout

Limited Lifetime Warranty

Connect Tech Inc. provides a Lifetime Warranty for all Connect Tech Inc. products. Should this product, in Connect Tech Inc.'s opinion, fail to be in good working order during the warranty period, Connect Tech Inc. will, at its option, repair or replace this product at no charge, provided that the product has not been subjected to abuse, misuse, accident, disaster or non Connect Tech Inc. authorized modification or repair.

You may obtain warranty service by delivering this product to an authorized Connect Tech Inc. business partner or to Connect Tech Inc. along with proof of purchase. Product returned to Connect Tech Inc. must be pre-authorized by Connect Tech Inc. with an RMA (Return Material Authorization) number marked on the outside of the package and sent prepaid, insured and packaged for safe shipment. Connect Tech Inc. will return this product by prepaid shipment service.

The Connect Tech Inc. lifetime warranty is defined as the serviceable life of the product. This is defined as the period during which all components are available. Should the product prove to be irreparable, Connect Tech Inc. reserves the right to substitute an equivalent product if available or to retract lifetime warranty if no replacement is available.

The above warranty is the only warranty authorized by Connect Tech Inc. Under no circumstances will Connect Tech Inc. be liable in any way for any damages, including any lost profits, lost savings or other incidental or consequential damages arising out of the use of, or inability to use, such product.

Customer Support Overview

If you experience difficulties after reading the manual and/or using the product, contact the Connect Tech reseller from which you purchased the product. In most cases the reseller can help you with product installation and difficulties.

In the event that the reseller is unable to resolve your problem, our highly qualified support staff can assist you. Our online Support Center is available 24 hours a day, seven days a week on our website at: www.connecttech.com/sub/support/support.asp. Please go to the [Download Zone](#) or the [Knowledge Database](#) for product manuals, installation guides, device driver software and technical tips. Submit your questions to our technical support engineers at support@connecttech.com. Our technical support is always free.

Contact Information

Telephone/Facsimile

Technical Support representatives are ready to answer your call Monday through Friday, from 8:30 a.m. to 5:00 p.m. Eastern Standard Time. Our numbers for calls are:
Toll: 800-426-8979 (North America only) | Tel: 519-836-1291 | Fax: 519-836-4878
(online 24 hours)

Email/Internet

You may contact us through the Internet. Our email and URL addresses are:
sales@connecttech.com | support@connecttech.com | www.connecttech.com

Mail/Courier

Connect Tech Inc.
42 Arrow Road
Guelph, Ontario, N1K 1S6, Canada