



Connect Tech Inc.
Embedded Computing Experts

www.connecttech.com

Product Change Notification

MPG104 to MPG110 Cable Migration

PCN Number:	CTIU-00036
Revision:	0.00
Issue Date:	2021-11-09
Effective Date:	2021-11-09
Authors:	LH

1 Product Identification

1.1 Product Data

	Effected Products
CTI Part Numbers	MPG104, CBG117
Serial Number	N/A
Lot Number	N/A
Hardware Revision	N/A
Firmware Version	N/A

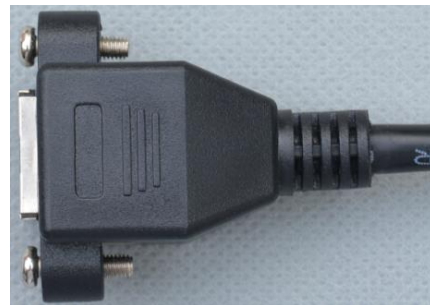
1.2 Means of Distinguishing Changed Products

		Remark
Product Number	<input type="checkbox"/>	
Hardware Revision	<input type="checkbox"/>	
Lot Code	<input type="checkbox"/>	
Label	<input type="checkbox"/>	
Other	<input checked="" type="checkbox"/>	Cable panel molding

Existing Cable: CBG117
Used on MPG104



New Cable: CBG510
Used on MPG110



2 Description and Reason of Change

AVL	<input type="checkbox"/>	Product Improvement	<input type="checkbox"/>
Material	<input type="checkbox"/>	BIOS Release	<input type="checkbox"/>
Assembly Process	<input type="checkbox"/>	Firmware Release	<input type="checkbox"/>
Assembly BOM	<input type="checkbox"/>	Datasheet / Manual	<input type="checkbox"/>
Testing	<input type="checkbox"/>	DFM	<input type="checkbox"/>
Manufacturing Site	<input type="checkbox"/>	Other	<input type="checkbox"/>
Equipment	<input checked="" type="checkbox"/>		

MPG110 Dual GigE Ethernet Cable

When migrating from MPG104 to MPG110, a new cable is required to mate to the device.

The new cable, CBG510, has a different molding when compared to the CBG117 that was available to order with the previous generation MPG104 device.

Customers planning on moving from MPG104 to MPG110 who made use of CBG117 in their systems will have to make mechanical adjustments to match the new suggested panel cutout. See Section 3.4 for further information

3 Impact of change (positive or negative) on fit, form, function & reliability

3.1 Quality and Reliability

N/A

3.2 Software Compatibility

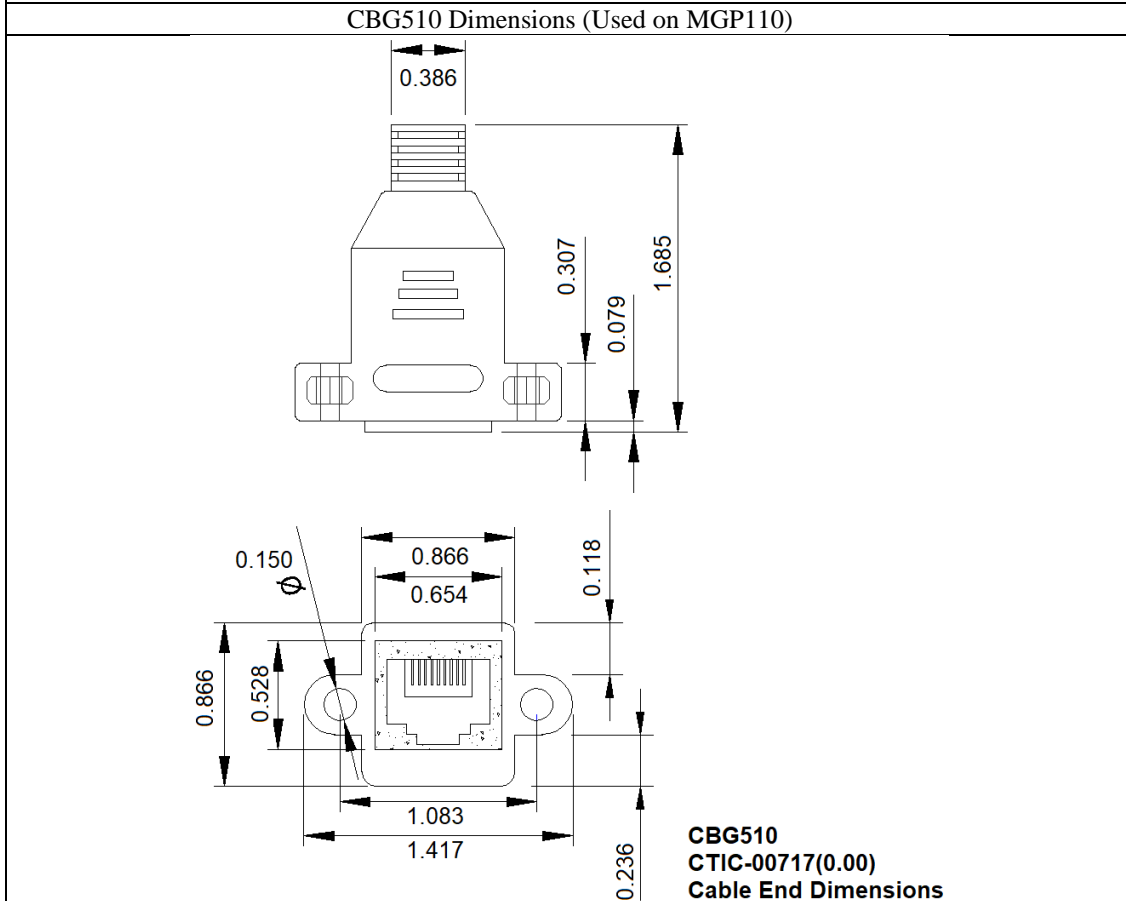
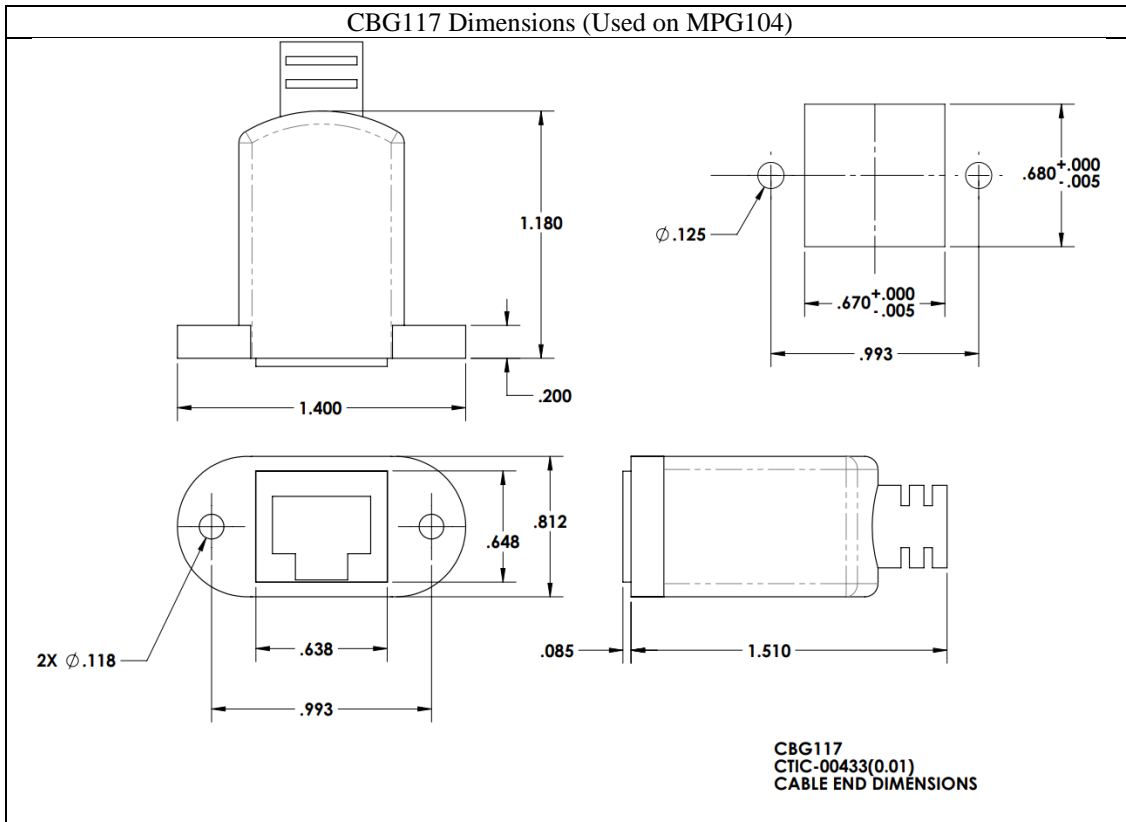
N/A

3.3 Hardware Compatibility

Existing CBG117s are not compatible with MPG110 and must migrate towards CBG510

3.4 Mechanical Compatibility

The CBG117 and CBG510 have similar dimensions but modifications will be required for proper mounting. Please see existing cable and new cable dimensions below.



4 Product / Revision Discontinuation

These changes take effect immediately upon the release of MPG110.

5 Contact Information

Phone	+1-519-836-1291
Email	sales@connecttech.com