



Connect Tech Inc.

Embedded Computing Experts

www.connecttech.com

Product Change Notification

Mini PCI Express Serial MPG003 Alternate assembly MPG013

PCN Number:	CTIU-00047
Revision:	0.01
Issue Date:	2023-05-09
Effective Date:	2023-05-09

Connect Tech Inc.

489 Clair Rd. W., Guelph, ON CANADA N1L 0H7

Tel: 519.836.1291 • North America: 800.426.8979 • Fax: 519.836.4878

sales@connecttech.com • <http://www.connecttech.com>

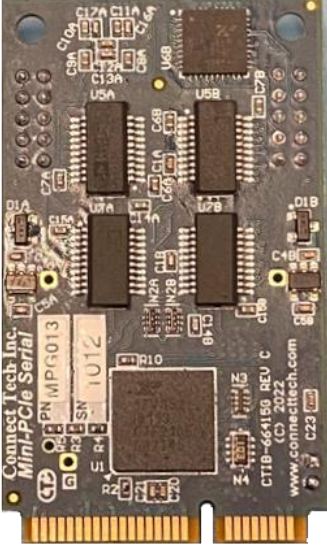
Copyright © 2023 Connect Tech Inc. ALL RIGHTS RESERVED. Connect Tech Confidential: This copyrighted work and all information are the property of Connect Tech Inc., contain trade secrets and may not, in whole or part, be used, duplicated, or disclosed for any purpose without prior written permission of Connect Tech Inc. All Rights Reserved. The Connect Tech Inc. logo is a registered trademark of Connect Tech Inc. All other trademarks used in this document are the property of their respective owners.

1 Product Identification

1.1 Product Data

	Original Product	New Alternate Product
Product Name	Mini PCI Express Serial	Mini PCI Express Serial
Part Numbers	MPG003, MPG004	MPG013, MPG014
Hardware Revision	A-C	C

1.2 Means of Distinguishing Changed Products

Part Number	<input checked="" type="checkbox"/>	Label will now read MPG013 
Hardware Revision	<input checked="" type="checkbox"/>	Silk screen will indicate Revision C
Label	<input type="checkbox"/>	
Other	<input type="checkbox"/>	

2 Description and Reason of Change

AVL	<input type="checkbox"/>	Product Improvement	<input type="checkbox"/>
Material	<input type="checkbox"/>	BIOS Release	<input type="checkbox"/>
Assembly Process	<input type="checkbox"/>	Firmware Release	<input type="checkbox"/>
Assembly BOM	<input checked="" type="checkbox"/>	Datasheet / Manual	<input type="checkbox"/>
Testing	<input type="checkbox"/>	DFM	<input type="checkbox"/>
Manufacturing Site	<input type="checkbox"/>	Other	<input type="checkbox"/>
Equipment	<input type="checkbox"/>		

Due to industry wide component shortages, Connect Tech has designed an alternative assembly of the Mini PCI Express Serial (MPG003/4). This alternate (MPG013/14) uses different digital signal isolators which results in a lower isolation rating for that specific component. The change in digital isolator does not affect the overall isolation rating of the product as a whole.

Part Number	Signal Isolation Rating
MPG003 MPG004	2.5KV
MPG013 MPG014	1 KV

3 Impact of change (positive or negative) on fit, form, function & reliability

3.1 Quality and Reliability

There are negligible differences to the reliability in terms of MTBF calculations.

3.2 Software Compatibility

The MPG013/14 is fully compatible with drivers and software written for the MPG003/4. The PCI device IDs are the same between the two products to maintain driver compatibility.

3.3 Hardware Compatibility

The MPG013/14 is functionally compatible with the MPG003/4. It will perform at the same data rates and the product retains the same isolation rating as a whole.

3.4 Mechanical Compatibility

The MPG013/14 is mechanical compatible for the MPG003/4. There are no changes to size, shape, nor connector position.

4 Product / Revision Discontinuation

The MPG003/4 will continue to be offered for purchase; however, it is presently subject to a long lead time.

5 Contact Information

Phone	+1-519-836-1291
Email	sales@connecttech.com