



Connect Tech Inc.

Embedded Computing Experts

www.connecttech.com

Product Change Notification

COM Express® Type 7 + GPU Embedded System

PCN Number:	CTIU-00052
Revision:	0.00
Issue Date:	2022-11-30
Effective Date:	2022-11-30

Connect Tech Inc.

489 Clair Rd. W., Guelph, ON CANADA N1L 0H7

Tel: 519.836.1291 • North America: 800.426.8979 • Fax: 519.836.4878

sales@connecttech.com • <http://www.connecttech.com>

Copyright © 2022 Connect Tech Inc. ALL RIGHTS RESERVED. Connect Tech Confidential: This copyrighted work and all information are the property of Connect Tech Inc., contain trade secrets and may not, in whole or part, be used, duplicated, or disclosed for any purpose without prior written permission of Connect Tech Inc. All Rights Reserved. The Connect Tech Inc. logo is a registered trademark of Connect Tech Inc. All other trademarks used in this document are the property of their respective owners.

1 Product Identification

1.1 Product Data

	Previous Version	New Version
Product Name	COM Express® Type 7 + GPU Embedded System	COM Express® Type 7 + GPU Embedded System
CTI Part Numbers	CCG977, CCG998, CCG958	CCG977, CCG998, CCG958
Hardware Revision	D	E, F

	Previous Version	New Version
Product Name	COM Express® Type 7 + GPU Embedded System	COM Express® Type 7 + GPU Embedded System
CTI Part Numbers	V7G001, V7G002, V7G003, V7G004, V7G005, V7G006, V7G008, V7G010, V7G912, D7G001, D7G002, D7G003, D7G004, D7G005, D7G006, D7G008, D7G901, D7G903, D7G908, D7G909, D7G910	V7G001, V7G002, V7G003, V7G004, V7G005, V7G006, V7G008, V7G010, V7G912, D7G001, D7G002, D7G003, D7G004, D7G005, D7G006, D7G008, D7G901, D7G903, D7G908, D7G909, D7G910
Hardware Revision	D	E, F

	Previous Version	New Version
Product Name	V7G GPU System	V7G GPU System
CTI Part Numbers	ESG701, ESG702, ESG703, ESG704, ESG705, ESG706, ESG710, ESG711, ESG712, ESG970	ESG701, ESG702, ESG703, ESG704, ESG705, ESG706, ESG710, ESG711, ESG712, ESG970
Hardware Revision	D	E, F

2 Description and Reason of Change

AVL	<input type="checkbox"/>	Product Improvement	<input checked="" type="checkbox"/>
Material	<input type="checkbox"/>	BIOS Release	<input type="checkbox"/>
Assembly Process	<input type="checkbox"/>	Firmware Release	<input type="checkbox"/>
Assembly BOM	<input type="checkbox"/>	Datasheet / Manual	<input type="checkbox"/>
Testing	<input type="checkbox"/>	DFM	<input type="checkbox"/>
Manufacturing Site	<input type="checkbox"/>	Other	<input checked="" type="checkbox"/>
Equipment	<input type="checkbox"/>		

2.1 IP4786CZ32S HDMI Output ESD/HPD

The HDMI ESD/HPD protection circuit IC IP4786CZ32S is EOL, as such the HDMI circuit will now use a discrete ESD and HPD circuit to protect the HDMI interface.

2.2 LTC4365 Package DFN8 to TSOT23

The voltage input window circuit has been changed from the DFN8 package to TSOT23 due to availability concerns for the DFN8 package.

2.3 U23B Removed from Dual SFP+ Broadwell SKUs

U23B has been removed from the COM Express® Type 7 + GPU Embedded Systems with Dual SFP Broadwell SKUs to increase availability across product lines of the INPHI CS4223e. There is no performance or functional differences on Dual SFP+ Broadwell SKUs.

Please see the affected list of COM Express® Type 7 + GPU Embedded Systems with Dual SFP+.

	Previous Version	New Version
Product Name	COM Express® Type 7 + GPU Embedded System	COM Express® Type 7 + GPU Embedded System
CTI Part Numbers	CCG977, CCG998, CCG958	CCG977, CCG998, CCG958
Hardware Revision	D	E, F

	Previous Version	New Version
Product Name	COM Express® Type 7 + GPU Embedded System	COM Express® Type 7 + GPU Embedded System
CTI Part Numbers	V7G001, V7G002, V7G003, V7G004, V7G005, V7G006, D7G001, D7G002, D7G003, D7G004, D7G005, D7G006, D7G008, D7G903, D7G909, D7G910,	V7G001, V7G002, V7G003, V7G004, V7G005, V7G006, D7G001, D7G002, D7G003, D7G004, D7G005, D7G006, D7G008, D7G903, D7G909, D7G910
Hardware Revision	D	E, F

	Previous Version	New Version
Product Name	V7G GPU System	V7G GPU System
CTI Part Numbers	ESG701, ESG970	ESG701, ESG970
Hardware Revision	D	E, F

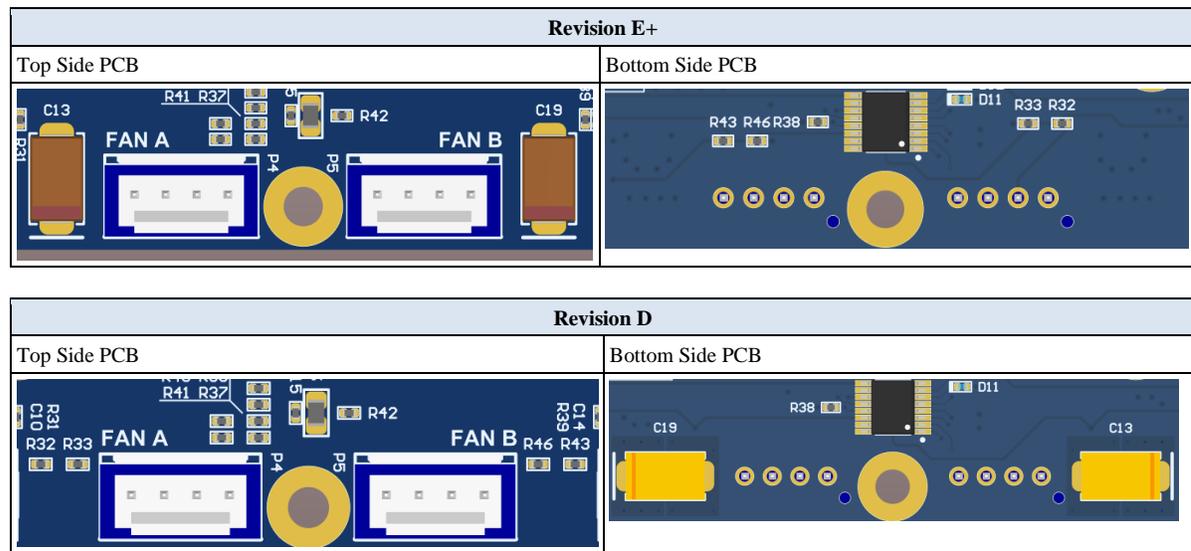
Dual SFP+ Broadwell SKUs created after the release of this document will be subject to the changes noted.

2.4 Type 7 SFP+ Denverton Functionality Improvement

The Type 7 Denverton SFP+ compatibility has been added to all COM Express® Type 7 + GPU Embedded System SKUs, as such 10G SFP on Denverton Modules will function on Dual SFP+ where only two 10G SFP+ connections are available.

2.5 LTC1771 Fan Controller Capacitor

The fan controller capacitors at Designators C13 and C19 have been moved from the Bottom side of the PCB to the Top, adjacent to P4 and P5.



3 Impact of change (positive or negative) on fit, form, function & reliability

3.1 Quality and Reliability

The changes listed in Section 2 will improve the features and availability of the product.

3.2 Software Compatibility

All software written for Revision D and earlier will be compatible with Revision E and F

3.3 Hardware Compatibility

The Revision E and F hardware is fully compatible with Revision D; only with improved performance and availability

3.4 Mechanical Compatibility

Minor changes to mechanical layout as noted in Section 2 are expected to have minimal impact.

4 Product / Revision Discontinuation

After the release of this document only new revisions will be shipped.

5 Contact Information

Phone	+1-519-836-1291
Email	sales@connecttech.com