

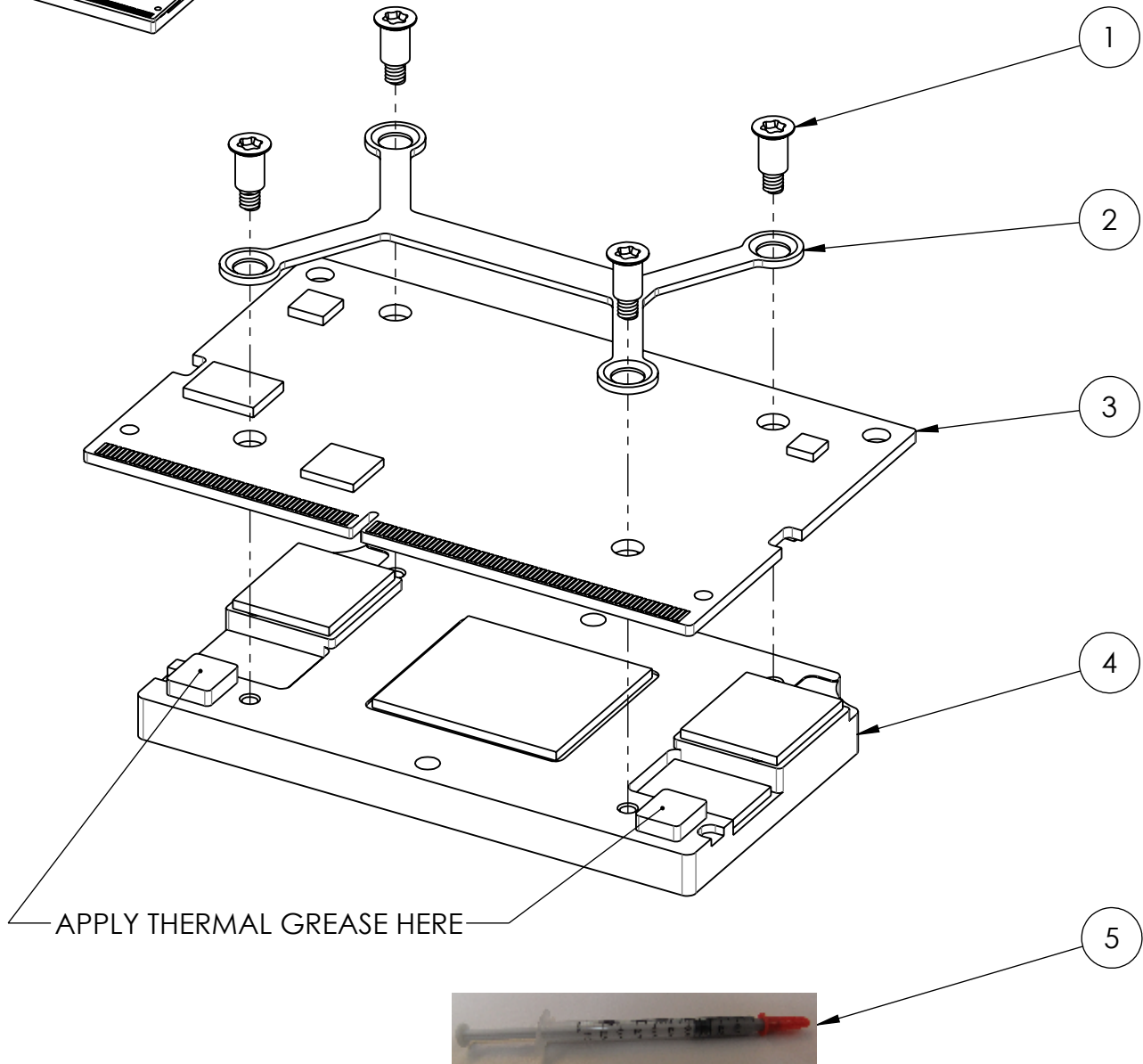
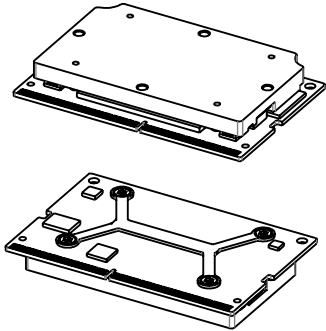


ESD WARNING

XHG323 INTEGRATED ASSEMBLY

ITEM	QTY.	PART NO./DESCRIPTION
1	4	155-1354-000 SCREW, M2.0X0.4, FLAT HD. SHOULDER
2	1	320-2048-000 LEAF SPRING
3	1	ORIN NX MODULE
4	1	CTIA-01287(0.00) CONDUCTION HEAT SINK w/PADS
5	1	X-23-7762-0.5G THERMAL GREASE

LEAF SPRING ORIENTED WITH C'SINK HOLE FACING UP
SPRING CURVES AWAY FROM MODULE
REMOVE PROTECTIVE FILM FROM THERMAL PADS
APPLY ONE DROP OF LIGHT DUTY THREADLOCKER ON THREADS
TORQUE FASTENERS TO 1.5 in-lb
APPLY SMALL AMOUNT OF THERMAL GREASE TO AREAS SHOWN



Connect Tech Inc.
www.connecttech.com

CTIX-00205(0.00)