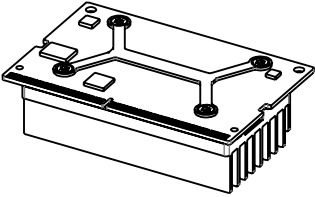
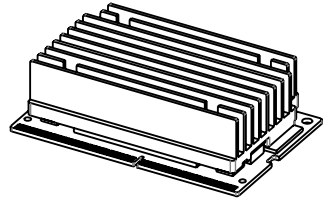




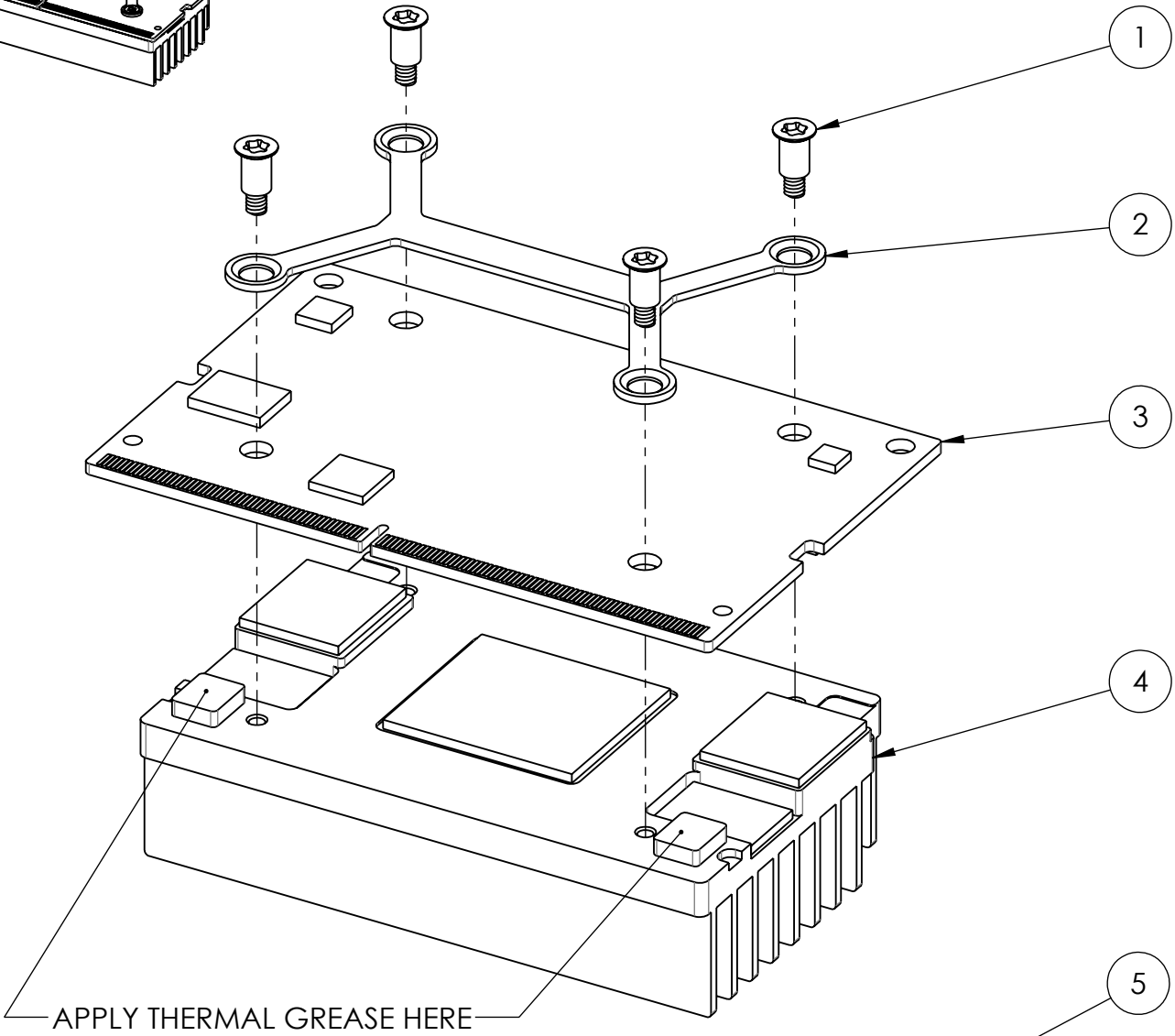
**ESD WARNING**

## XHG324 INTEGRATED ASSEMBLY

ITEM	QTY.	PART NO./DESCRIPTION
1	4	155-1354-000 SCREW, M2.0X0.4, FLAT HD. SHOULDER
2	1	320-2048-000 LEAF SPRING
3	1	ORIN NX MODULE
4	1	CTIA-01288(0.00) PASSIVE HEAT SINK w/PADS
5	1	X-23-7762-0.5G THERMAL GREASE



LEAF SPRING ORIENTED WITH C'SINK HOLE FACING UP  
SPRING CURVES AWAY FROM MODULE  
REMOVE PROTECTIVE FILM FROM THERMAL PADS  
APPLY ONE DROP OF LIGHT DUTY THREADLOCKER ON THREADS  
TORQUE FASTENERS TO 1.5 in-lb  
APPLY SMALL AMOUNT OF THERMAL GREASE TO AREAS SHOWN



**Connect Tech Inc.**  
www.connecttech.com

CTIX-00206(0.00)