

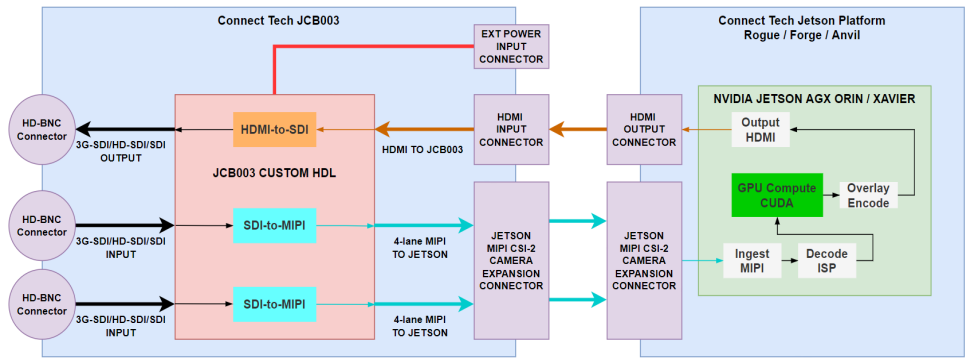
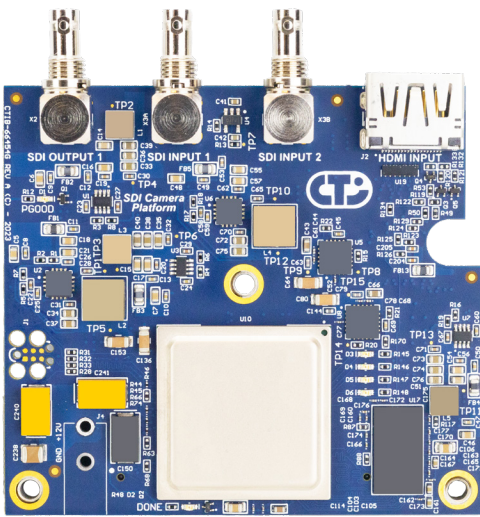


The Jetson SDI Vision Platform allows for ultra-low hardware latency SDI-to-MIPI CSI-2 conversion, providing direct ISP ingest path to GPU compute on the NVIDIA Jetson platform without the overhead from other methods such as frame grabbers, USB, or Ethernet packetizing.



Ideal for Edge AI applications in the robotics, industrial and public sector, supporting multi-sensor, multi-spectral, electro-optic and infrared (EO/IR) surveillance and targeting systems for ISR and Inference applications across the air, land and maritime domains.

Looking for a way to add AI Edge Computing to your mission-critical ISR and C4ISR applications, the JCB003 platform is an ideal way to get there.



SPECIFICATIONS

SDI Video Inputs	2x 3G-SDI/HD-SDI/SDI (via 2x HD-BNC Connectors)	Video Input Path to Jetson	SDI-to-MIPI (via Samtec QTH Connector)
SDI Video Output	1x 3G-SDI/HD-SDI/SDI (via 1x HD-BNC Connector)	Video Output Path from Jetson	HDMI-to-SDI (via HDMI Type-A Connector)
SDI Supported Formats	SMPTE 259M: SD-SDI SMPTE 292M: HD-SDI SMPTE 424M: 3G-SDI	MIPI CSI-2 Details	Each SDI Input channel will be converted to a 4-lane MIPI CSI-2 v1.3 output per SDI Input (8-lanes total)
Power	+12V Provided via Camera Expansion Connector or External 2-pin Locking Connector	Mechanical Details	PCBA Dimensions: 67mm x 75mm PCBA Height with Integrated passive heatsink: 17mm
Thermal Design Power	6 Watts	Operating Temperature	-40°C to +85°C
Weight	53 Grams	Warranty & Support	1 Year Warranty and Free Technical Support