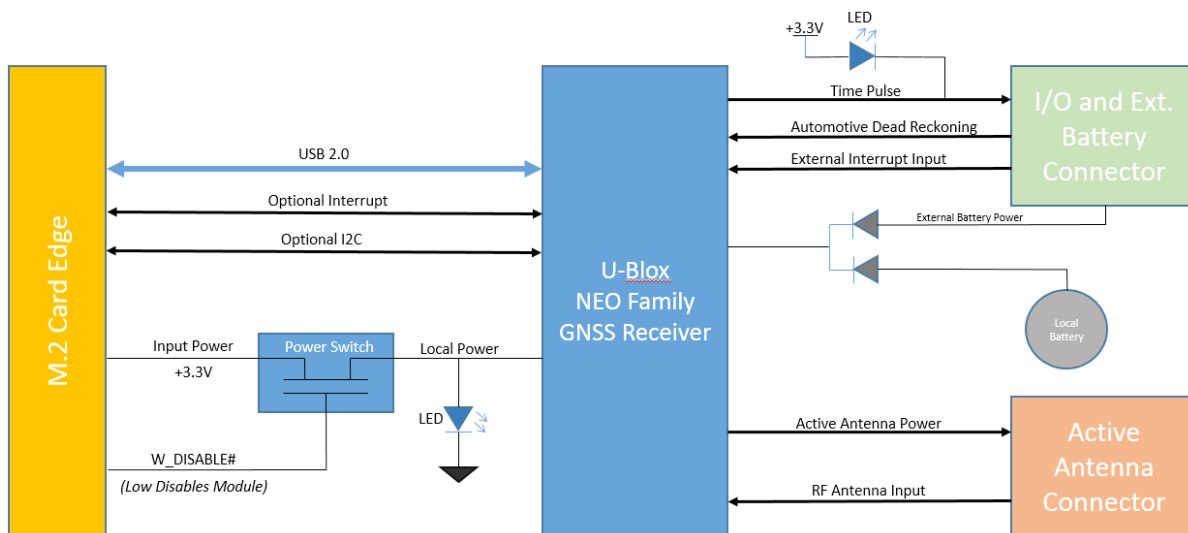




The M.2 GPS is a GNSS receiver based on the very small industry standard M.2 Type-2242-S3-B form factor.

Using the USB bus, the M.2 GPS provides global positioning and time-stamp information, while taking up little space and power within a system. Also considering the existing support for Windows and Linux, the M.2 GPS can be easily integrated into any existing system, as well as easily implemented into new systems.



## FEATURES

- ✓ Provides global positioning and time-stamp information
- ✓ Uses little space and power within a system
- ✓ Easily integrates into any existing system using an M.2 Type-2242-S3-B Connector
- ✓ -40°C to +85°C

## SPECIFICATIONS

<b>Dimensions</b>	42 mm x 22 mm (M.2 Type-2242-S3-B)
<b>GPS</b>	GPS, GLONASS, QZSS, Galileo UBX, RTCM, and NMEA protocols
<b>Antenna</b>	MSG095, VTGP5A-9, Active GPS/GLONASS Antennas only
<b>I/O</b>	TIMEPULSE output synchronized with GPS time grid External Interrupt input External Battery input Forward/Reverse and Wheeltick inputs for Automotive Dead Reckoning
<b>Antenna Connector</b>	HSC (MHF4), support for active antennas only
<b>Cables</b>	CBG214 (RF Connector to SMA) CBG162 (IO Connector Cable)
<b>Environmental</b>	Storage/Operating Temperature: -40° C to +85° C (-40° F to 185° F)
<b>Warranty and Support</b>	2 Years