

Mini PCIe GPS

Connect Tech's Mini PCIe GPS is a ruggedized GPS module based on the very small industry standard Mini PCIe "Full" module format.

Using the USB bus, this Mini PCIe GPS provides global positioning and time-stamp information, while taking up little space and power within a system. Module supports both Windows and Linux environments.

Product Name: Mini PCIe GPS

Part Numbers:

MPG201, MPG202, MPG203, MPG204,
MPG205, MPG206, MPG207, MPG208
MPG209, MPG210



Specifications

Dimensions	50.95 mm x 30 mm Mini PCIe "Full"
Antenna Connector	U.FL, support for active antennas only
GPS	GPS, GLONASS, QZSS, Galileo UBX, RTCM, and NMEA protocols
I/O	TIMEPULSE output synchronized with GPS time grid External Interrupt input External Battery input Forward/Reverse and Wheeltick inputs for Automotive Dead Reckoning
Cables (Optional, not included)	CBG162: External I/O Cable CBG163: R.FL to SMA Female Cable
Antenna (Optional, not included)	GPS-06T, VTGPSA-9, Active GPS/GLONASS Antennas Only
Operating Temperature	-40° C to +85° C
Warranty and Support	2 Years

RoHS

Specifications subject to change without notice.

©2020, Connect Tech Inc. All trademarks are property of their respective holder.

FEATURES

- ✓ *Small industry standard Mini PCIe "Full" module format*
- ✓ *Takes up little space and power within a system*
- ✓ *Easily integrated into any new or existing system using Windows or Linux*
- ✓ *Extended temperature range -40° C to +85° C*

Part Number	
MPG201	Mini PCIe GPS Receiver, populated with NEO-7N module (Battery not included)
MPG202	Mini PCIe GPS Receiver, populated with NEO-7N module (Battery included)
MPG203	Mini PCIe GPS Receiver, populated with NEO-M8N module (Battery not included)
MPG204	Mini PCIe GPS Receiver, populated with NEO-M8N module (Battery included)
MPG205*	Mini PCIe GPS Receiver, populated with NEO-M8L module (Battery not included)
MPG206*	Mini PCIe GPS Receiver, populated with NEO-M8L module (Battery included)
MPG207*	Mini PCIe GPS Receiver, populated with NEO-M8U module (Battery not included)
MPG208*	Mini PCIe GPS Receiver, populated with NEO-M8U module (Battery included)
MPG209	Mini PCIe GPS Receiver, populated with NEO-M9N module (Battery not included)
MPG210	Mini PCIe GPS Receiver, populated with NEO-M9N module (Battery included)

* With Dead Reckoning

Connect Tech Inc.
42 Arrow Road, Guelph ON Canada
Tel: 519.836.1291 **Fax:** 519.836.4878
Toll: 800.426.8979 (North America)
Email: sales@connecttech.com
www.connecttech.com

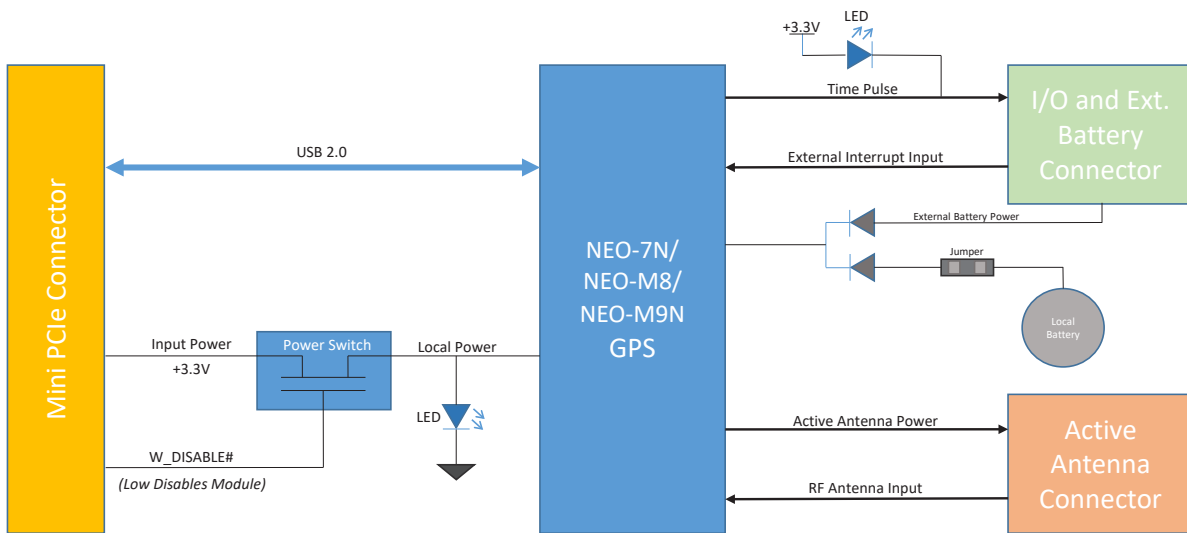
Product Name: Mini PCIe GPS

Part Numbers:

MPG201, MPG202, MPG203, MPG204,

MPG205, MPG206, MPG207, MPG208

MPG209, MPG210



Connect Tech Inc.
42 Arrow Road, Guelph ON Canada
Tel: 519.836.1291 **Fax:** 519.836.4878
Toll: 800.426.8979 (North America)
Email: sales@connecttech.com
www.connecttech.com