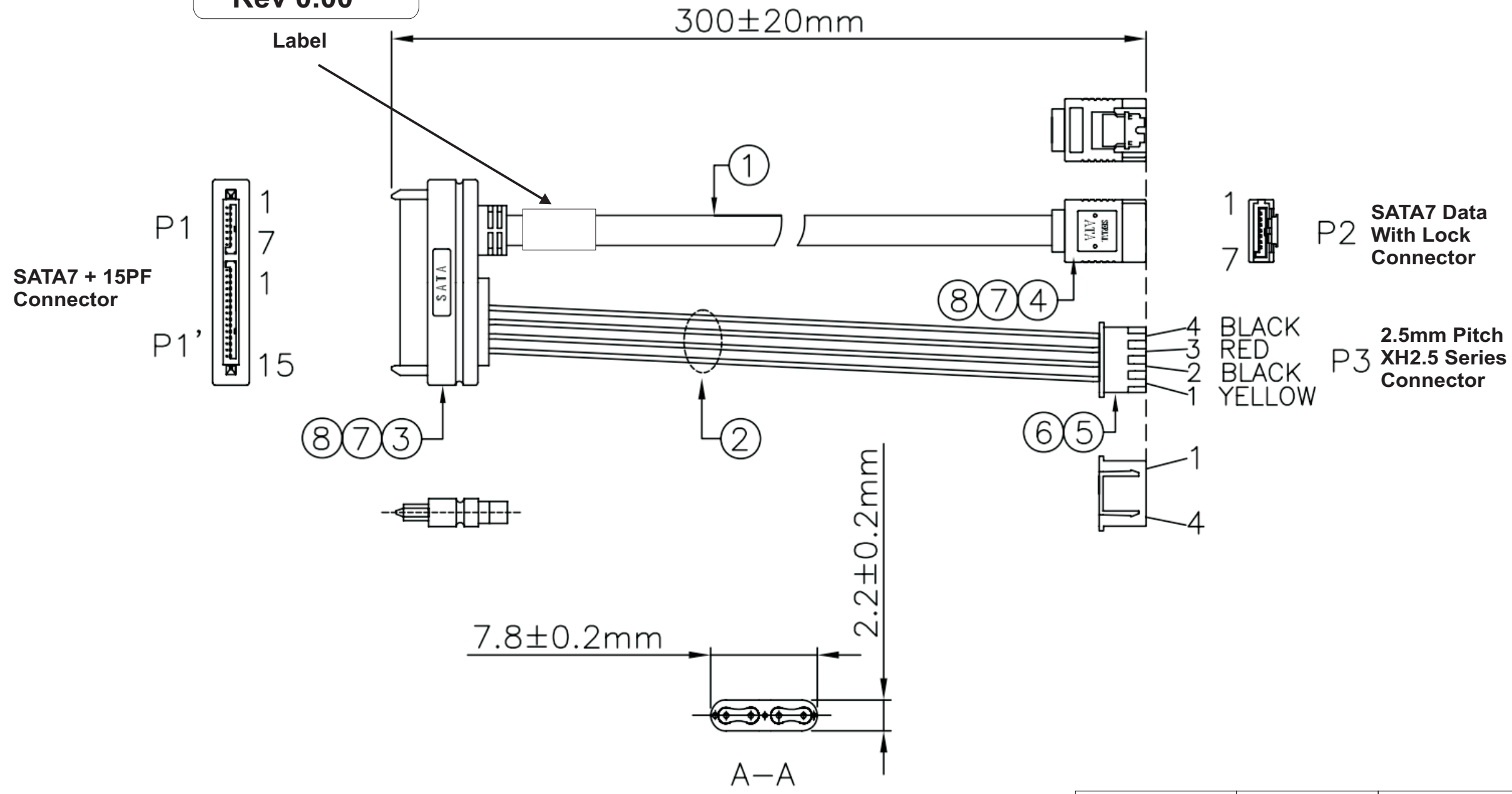


REVISIONS				
ECN	REV.	DESCRIPTION	DATE	APPROVED
	0.00	Initial	2011-12-06	
	0.00b	Updated Template	2017-08-14	

CBG090
CTIC-00347
Rev 0.00



Pinout

P1	P2	
1	1	GND
2	2	A+
3	3	A-
4	4	GND
5	5	B-
6	6	B+
7	7	GND

P3	P1'	
1	15	+12V
	14	
	13	
2	12	GND
	11	
	10	
3	9	+5V
	8	
	7	
4	6	GND
	5	
	4	
	3	
	2	
	1	

- Material Notes**
1. Ensure SATA data cable is SATA III (6Gbps) Capable
 2. Ensure Power Cables are 22AWG

ASSEMBLY & TEST PROCEDURE:

UNLESS OTHERWISE SPECIFIED:
 DIMENSIONS ARE IN METRIC (MM)

THIS DRAWING AND SPECIFICATION SHOWN IS CONFIDENTIAL AND IS THE PROPERTY OF CONNECT TECH INCORPORATED. IT IS NOT TO BE REPRODUCED OR COPIED OR USED AS A BASIS TO MANUFACTURE ANYTHING SHOWN WITHOUT PRIOR WRITTEN PERMISSION OF CONNECT TECH INCORPORATED. ALL RIGHTS TO DESIGN OR INVENTION ARE RESERVED.

DRAWN PD	DATE 2017-08-14
CHECKED	DATE
ENG APPR.	DATE
MFG APPR.	DATE
Q.A.	DATE
NOT DRAWN TO SCALE	

Connect Tech Inc.
 Embedded Computing Experts
 42 ARROW ROAD, GUELPH, ON, CANADA, N1K 1S6

TITLE
**SATA Data+Power to
 SATA Data and XH2.5 Power**

PART NO.
CBG090

DOCUMENT NO.
CTIC-00347

REV
0.00b