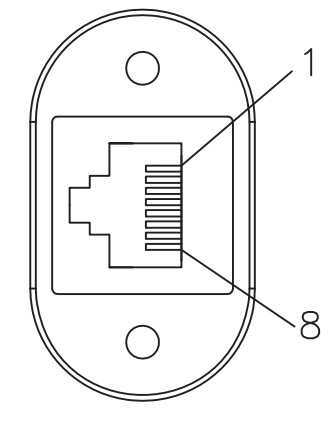
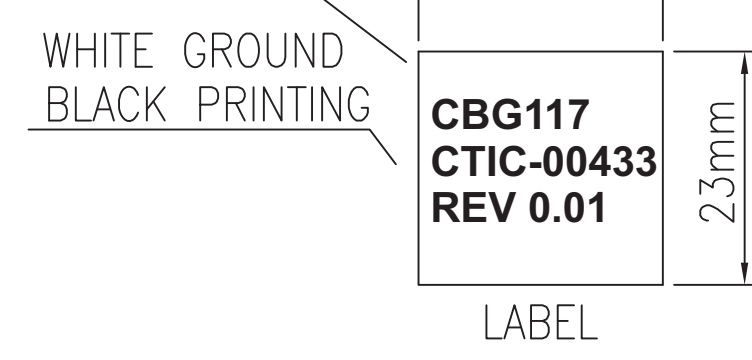
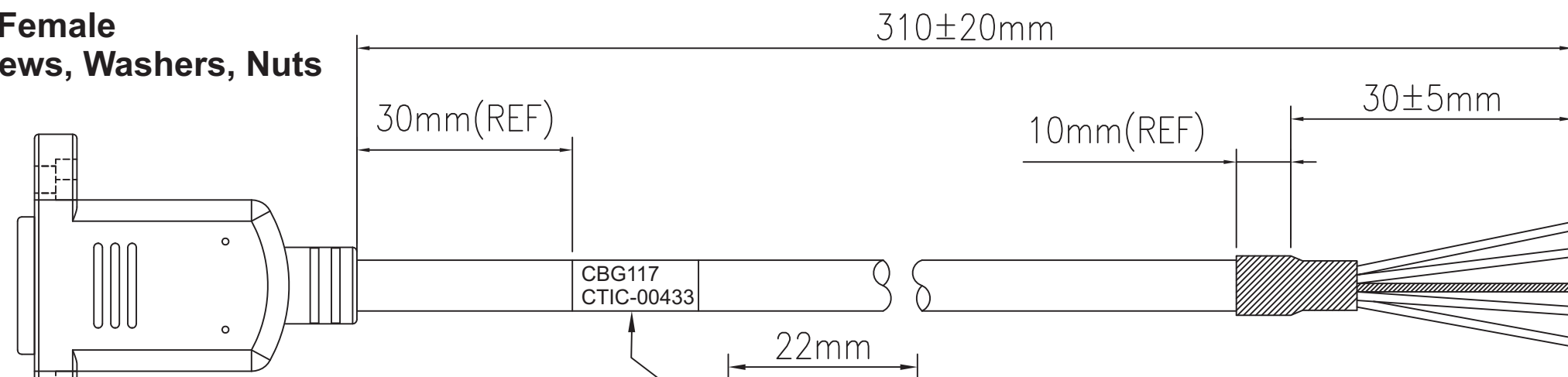


REVISIONS				
ECN	REV.	DESCRIPTION	DATE	APPROVED
	0.00	Initial	2013-06-04	
	0.01	Updated PN Info	2013-06-09	
	0.01b	Updated Template	2017-08-14	

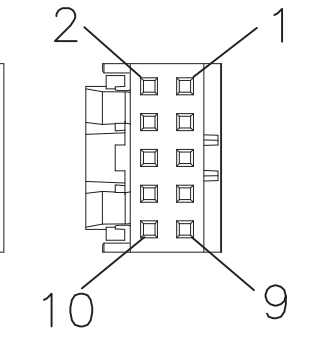
**RJ-45 8P8C Female
w/ Panel Mounts and Screws, Washers, Nuts**



P1(8P8C JACK)




**FCI
MiniTek 10-pin
Housing
PN:10073599-010LF**



P2(10P HSG)

Pinout	
P1	P2
2 ORANGE	1
1 WHITE/ORANGE	2
6 GREEN	3
3 WHITE/GREEN	4
SHELL BRAID	5
SHELL BRAID	6
5 WHITE/BLUE	7
4 BLUE	8
8 BROWN	9
7 WHITE/BROWN	10

- Material Notes**
1. Cable is made from **RoHS** compliant components, must be RJ-45 compliant and 26-30 AWG
 2. RJ-45 socket must be 8P8C (8 Pins, 8 Connectors)
 3. FCI 10073599-010LF must be used; along with required crimps 77138

ASSEMBLY & TEST PROCEDURE:	DRAWN PD	DATE 2017-08-14	 Connect Tech Inc. Embedded Computing Experts 42 ARROW ROAD, GUELPH, ON, CANADA, N1K 1S6	
	CHECKED	DATE		
UNLESS OTHERWISE SPECIFIED: DIMENSIONS ARE IN METRIC (MM)	ENG APPR.	DATE	TITLE 10-Minitek to RJ45F	
	MFG APPR.	DATE		
THIS DRAWING AND SPECIFICATION SHOWN IS CONFIDENTIAL AND IS THE PROPERTY OF CONNECT TECH INCORPORATED. IT IS NOT TO BE REPRODUCED OR COPIED OR USED AS A BASIS TO MANUFACTURE ANYTHING SHOWN WITHOUT PRIOR WRITTEN PERMISSION OF CONNECT TECH INCORPORATED. ALL RIGHTS TO DESIGN OR INVENTION ARE RESERVED.	Q.A.	DATE	PART NO. CBG117	
	NOT DRAWN TO SCALE			DOCUMENT NO. CTIC-00433
				REV 0.01b