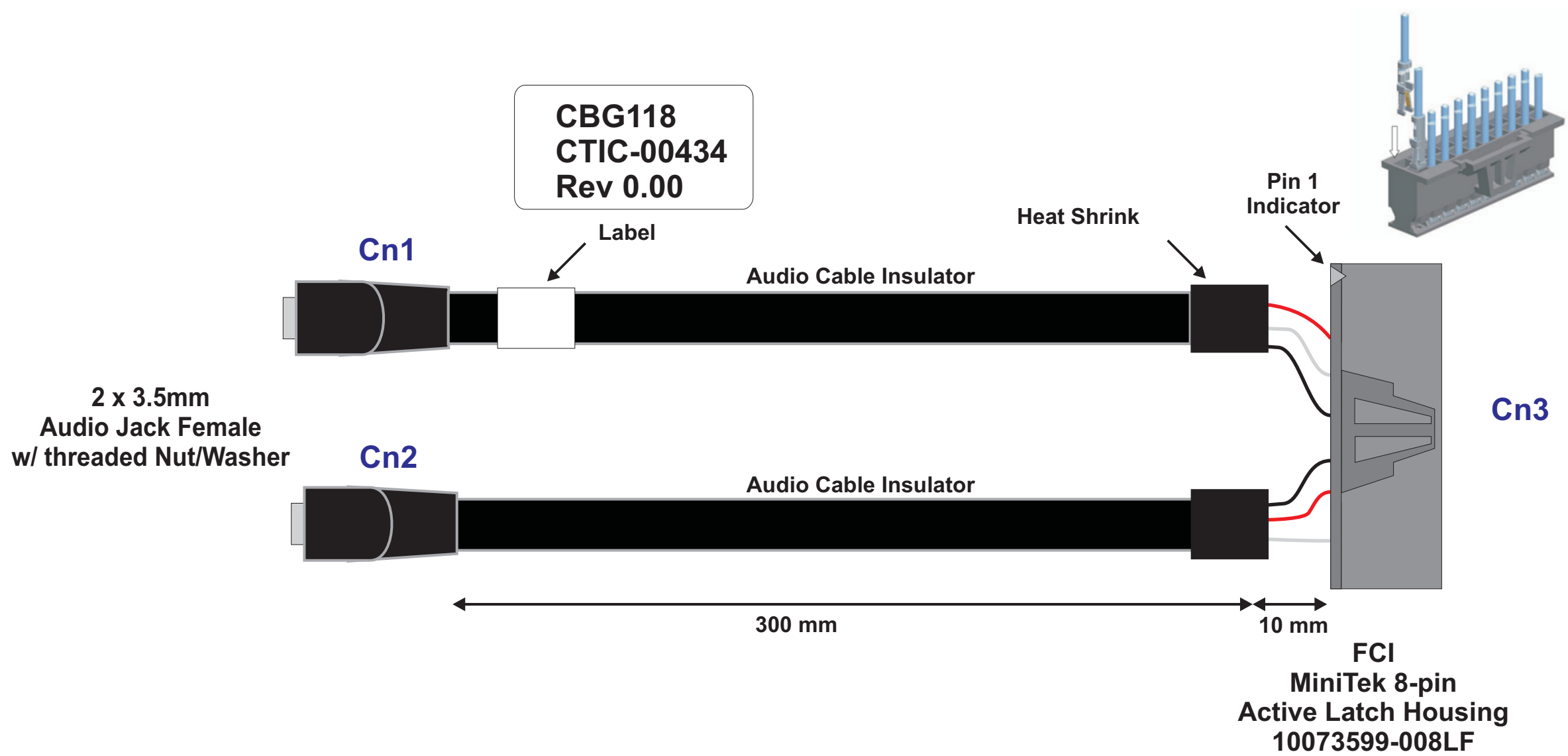



REVISIONS				
ECN	REV.	DESCRIPTION	DATE	APPROVED
	0.00	Initial	2013-07-22	
	0.00b	Updated Template	2017-08-14	



Pinout

CN1/CN2	CN3
-	1
-	2
CN1 - Ring	3
CN1 - Tip	4
CN1 - Sleeve	5
CN2 - Sleeve	6
CN2 - Ring	7
CN2 - Tip	8

Material Notes
 1. Cable is made from **RoHS** compliant components and wires must be 26-30 AWG
 2. FCI 10073599-008LF must be used; along with required crimps 77138

ASSEMBLY & TEST PROCEDURE:	DRAWN PD	DATE 2017-08-14	 Connect Tech Inc. <i>Embedded Computing Experts</i> 42 ARROW ROAD, GUELPH, ON, CANADA, N1K 1S6
	CHECKED	DATE	
UNLESS OTHERWISE SPECIFIED: DIMENSIONS ARE IN METRIC (MM)	ENG APPR.	DATE	TITLE 8-Pin Minittek to 2x 3.5 Audio Jacks
	MFG APPR.	DATE	
THIS DRAWING AND SPECIFICATION SHOWN IS CONFIDENTIAL AND IS THE PROPERTY OF CONNECT TECH INCORPORATED. IT IS NOT TO BE REPRODUCED OR COPIED OR USED AS A BASIS TO MANUFACTURE ANYTHING SHOWN WITHOUT PRIOR WRITTEN PERMISSION OF CONNECT TECH INCORPORATED. ALL RIGHTS TO DESIGN OR INVENTION ARE RESERVED.	Q.A.	DATE	PART NO. CBG118
	NOT DRAWN TO SCALE		