



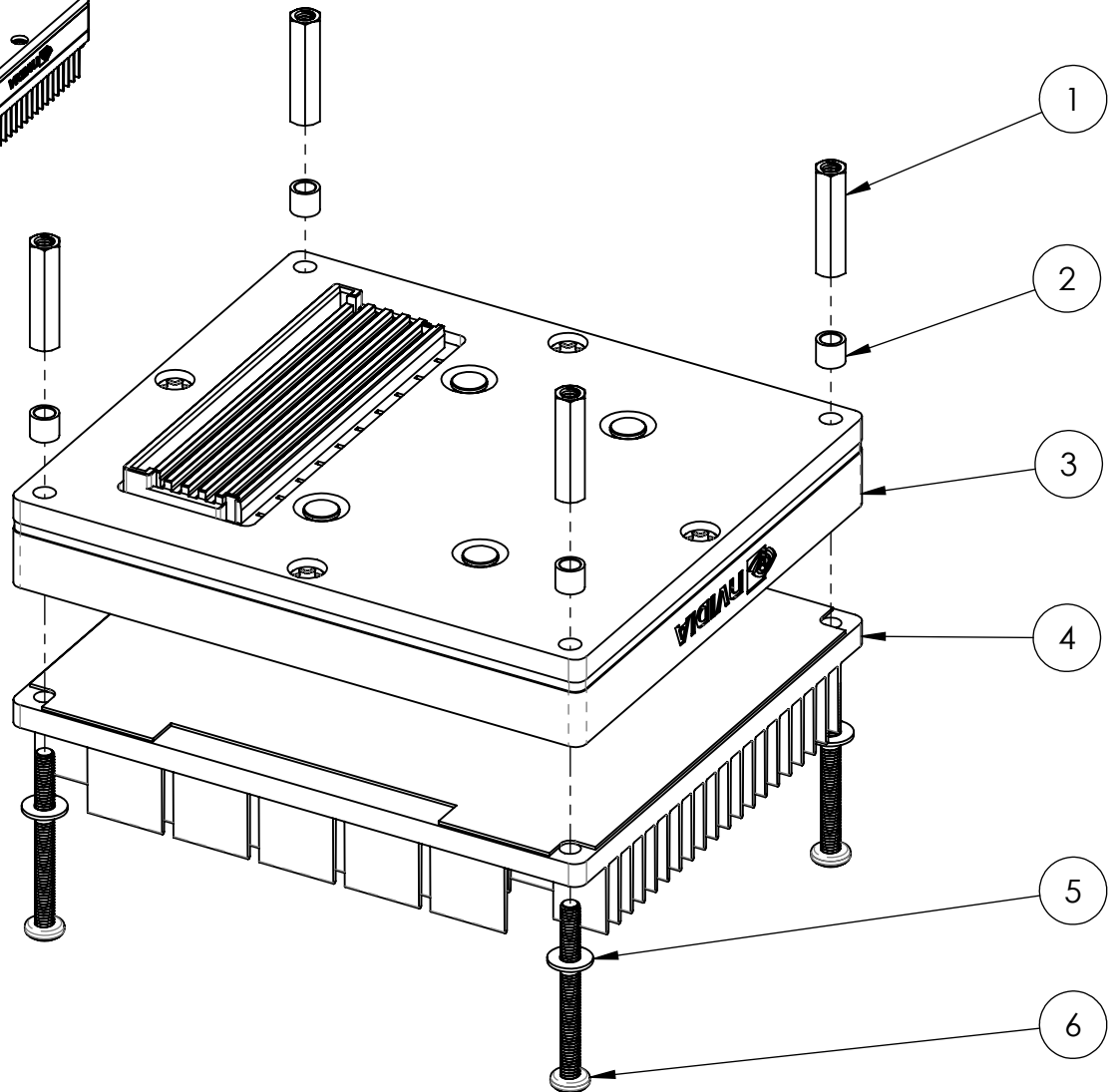
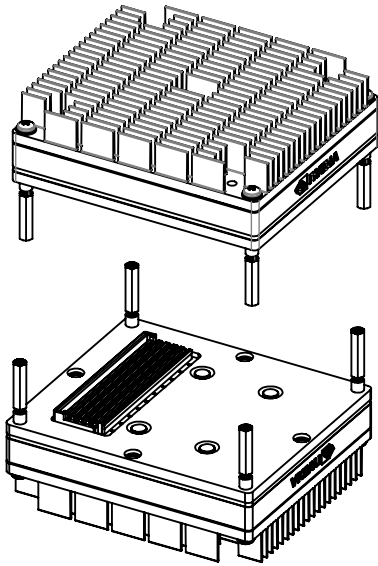
ESD WARNING

XHG305 INTEGRATED ASSEMBLY

ITEM	QTY.	PART NO./DESCRIPTION
1	4	M1265-3005-AL STANDOFF, M3.0X0.5, 18.0mm
2	4	M0503-3-AL SPACER, M3.0, 4.0mm
3	1	AGX MODULE
4	1	CTIA-00197(0.04) PASSIVE HEAT SINK w/PAD
5	4	93475A210 FLAT WASHER, M3.0
6	4	92000A132 SCREW, M3.0X0.5, PPHMS, 30.0mm

REMOVE PROTECTIVE FILM FROM THERMAL PAD
APPLY ONE DROP OF LIGHT DUTY THREADLOCKER ON THREADS
TORQUE FASTENERS TO 5.2 in-lb

CARRIER (NOT SHOWN) WILL BE PLUGGED INTO ITEM 3 AND
FASTENED WITH 4x ITEM 1 INTO ITEM 6



Connect Tech Inc.

www.connecttech.com

CTIX-00088(0.00)